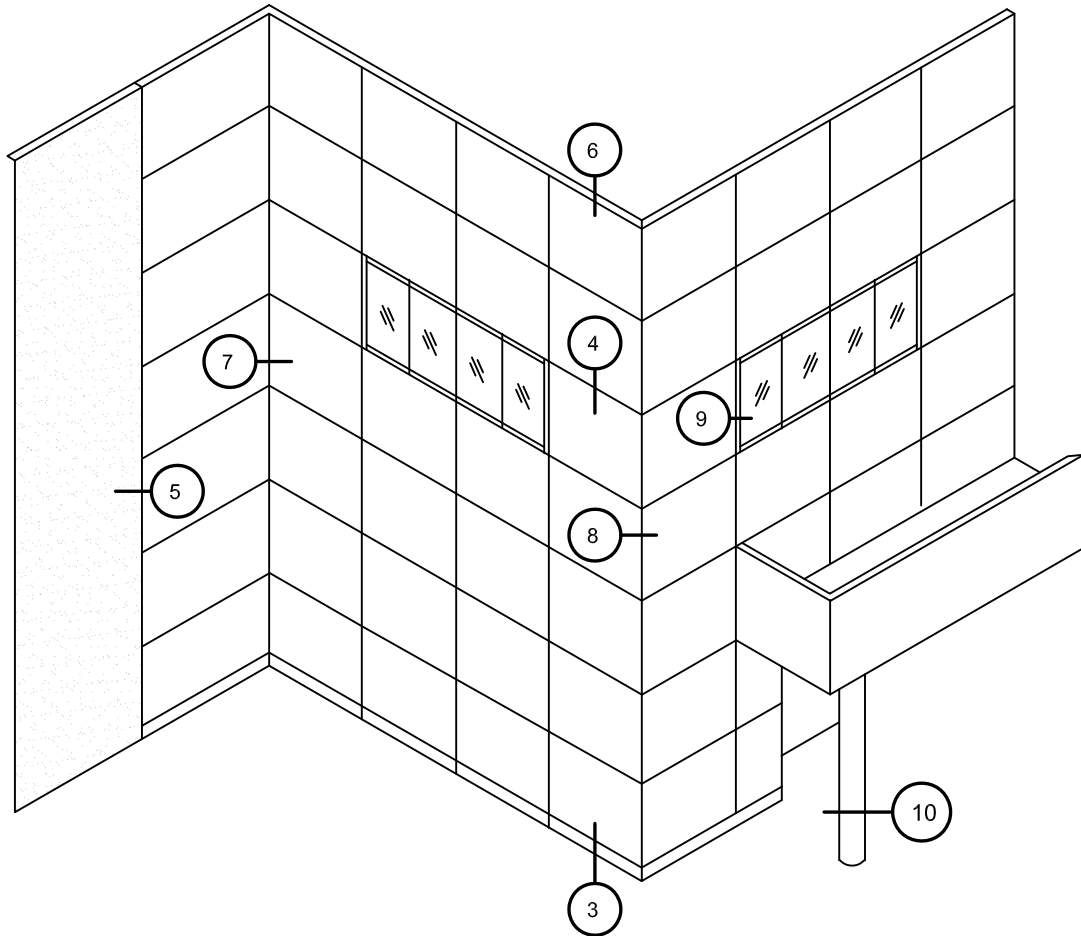


US-AD200 DRY JOINT SYSTEM

Disclaimer Note: U.S. FACADES, INC. DOES NOT MAKE ANY WARRANTIES, EXPRESS OR IMPLIED INCLUDING MERCHANTABILITY AND FITNESS FOR PURPOSE. THIS INFORMATION IS GIVEN TO THE BEST OF OUR KNOWLEDGE BUT WITHOUT ANY OBLIGATION ON OUR PART.



GENERAL DETAILS

- 1: SYSTEM ISOMETRIC
- 2: ATTACHMENT EXTRUSIONS

SECTION DETAILS

- 3: BASE / FOUNDATION
- 4: HORIZONTAL / VERTICAL
- 5: DISSIMILAR MATERIAL
- 6: PARAPET
- 7: INSIDE CORNER
- 8: OUTSIDE CORNER
- 9: WINDOW DETAIL
- 10: ROUND COLUMN

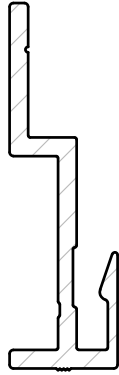
1 SYSTEM ISOMETRIC



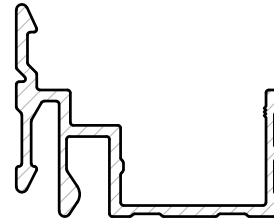
www.usfacades.com

US-AD200 DRY JOINT SYSTEM

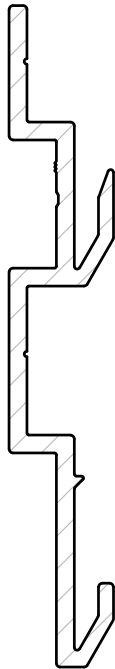
Disclaimer Note: U.S. FACADES, INC. DOES NOT MAKE ANY WARRANTIES, EXPRESS OR IMPLIED INCLUDING MERCHANTABILITY AND FITNESS FOR PURPOSE. THIS INFORMATION IS GIVEN TO THE BEST OF OUR KNOWLEDGE BUT WITHOUT ANY OBLIGATION ON OUR PART.



US-201



US-202

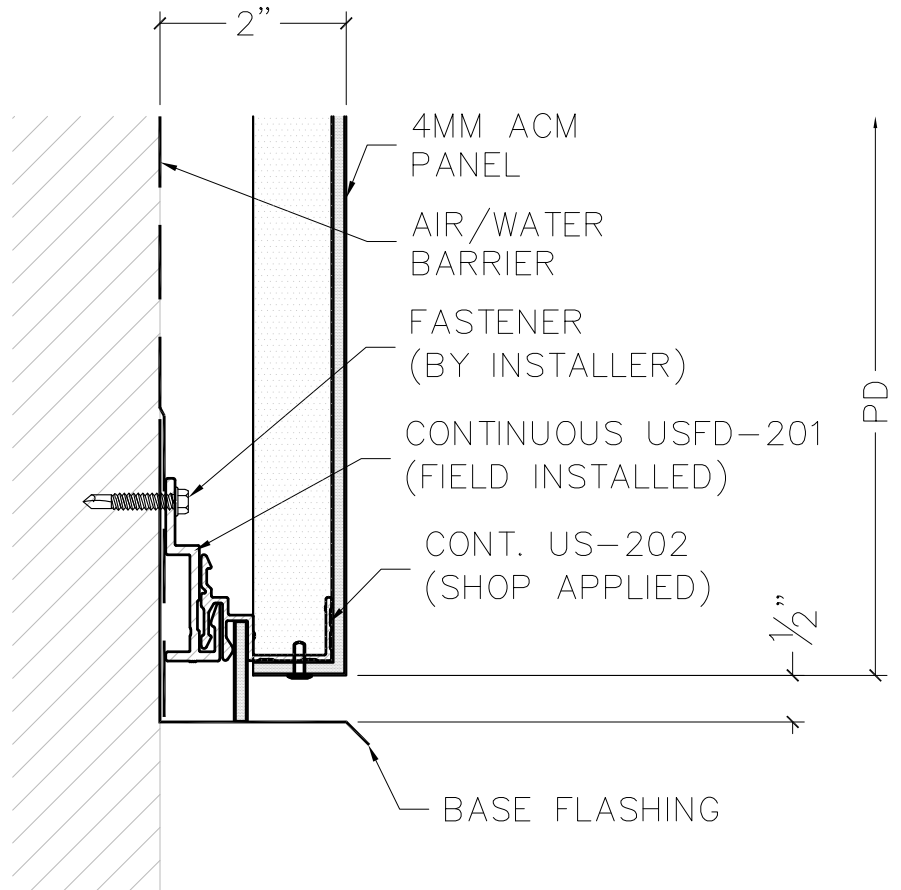


US-203

NOT TO SCALE

US-AD200 DRY JOINT SYSTEM

Disclaimer Note: U.S. FACADES, INC. DOES NOT MAKE ANY WARRANTIES, EXPRESS OR IMPLIED INCLUDING MERCHANTABILITY AND FITNESS FOR PURPOSE. THIS INFORMATION IS GIVEN TO THE BEST OF OUR KNOWLEDGE BUT WITHOUT ANY OBLIGATION ON OUR PART.



3

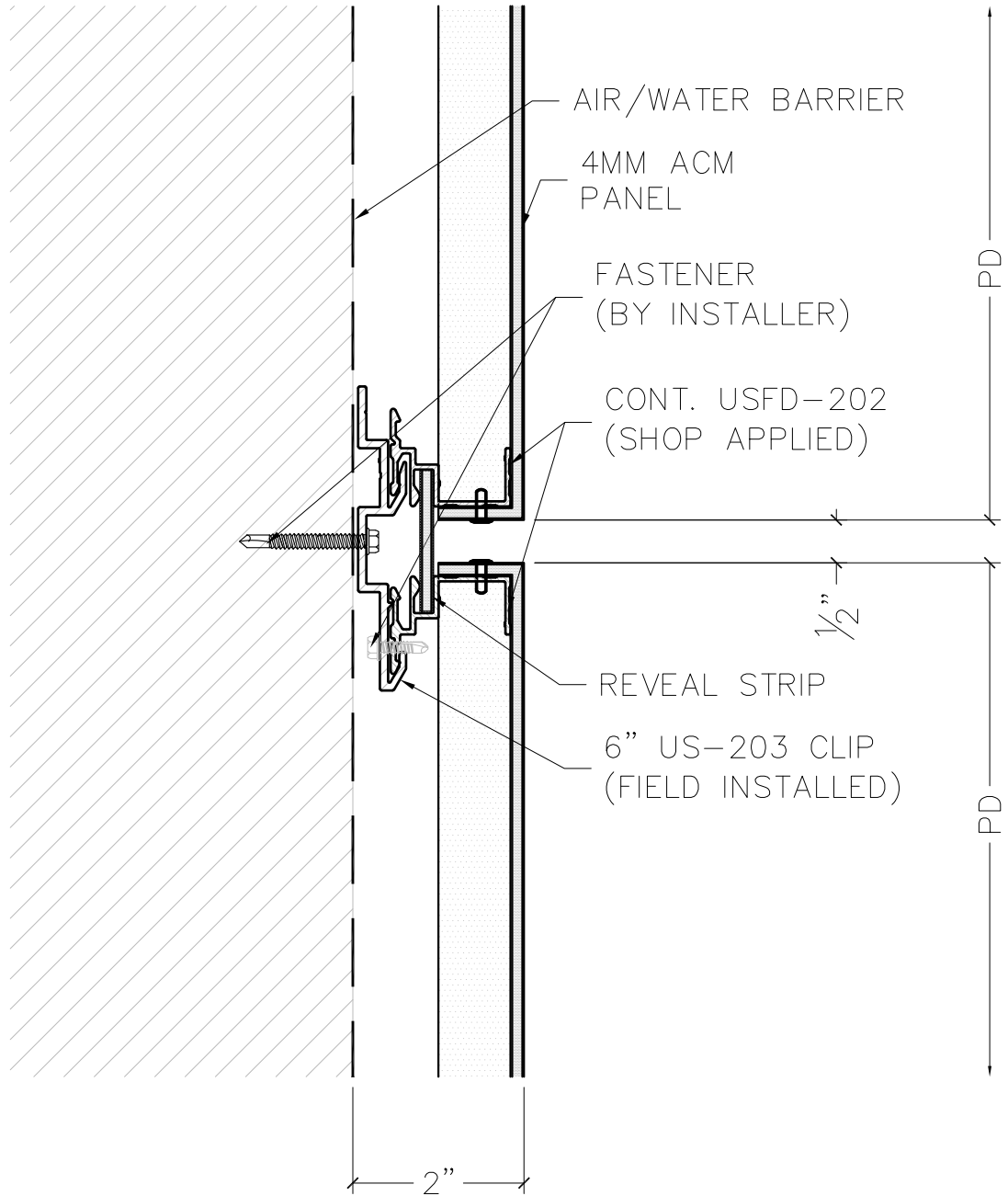
BASE DETAIL



www.usfacades.com

US-AD200 DRY JOINT SYSTEM

Disclaimer Note: U.S. FACADES, INC. DOES NOT MAKE ANY WARRANTIES, EXPRESS OR IMPLIED INCLUDING MERCHANTABILITY AND FITNESS FOR PURPOSE. THIS INFORMATION IS GIVEN TO THE BEST OF OUR KNOWLEDGE BUT WITHOUT ANY OBLIGATION ON OUR PART.



4

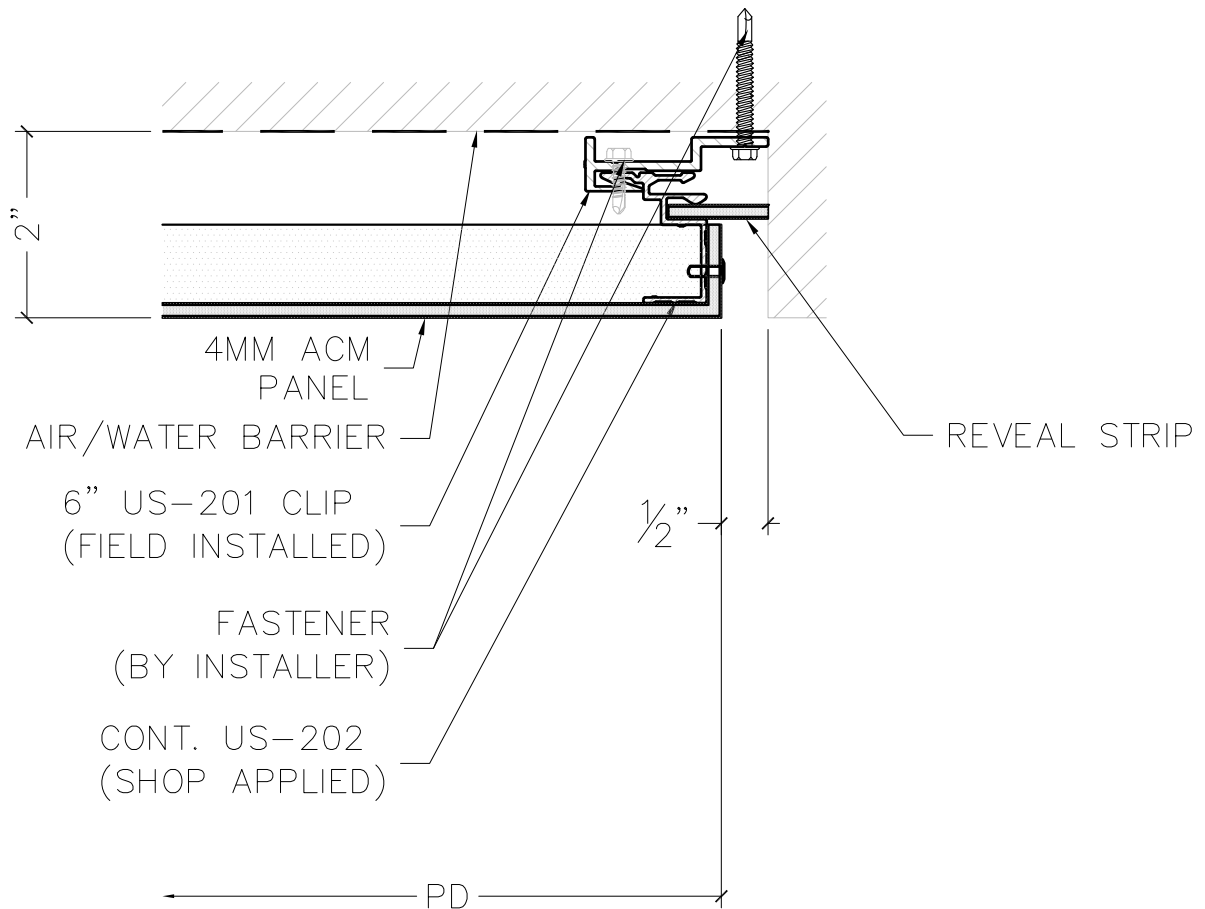
TYPICAL PANEL JOINT DETAIL



www.usfacades.com

US-AD200 DRY JOINT SYSTEM

Disclaimer Note: U.S. FACADES, INC. DOES NOT MAKE ANY WARRANTIES, EXPRESS OR IMPLIED INCLUDING MERCHANTABILITY AND FITNESS FOR PURPOSE. THIS INFORMATION IS GIVEN TO THE BEST OF OUR KNOWLEDGE BUT WITHOUT ANY OBLIGATION ON OUR PART.



5

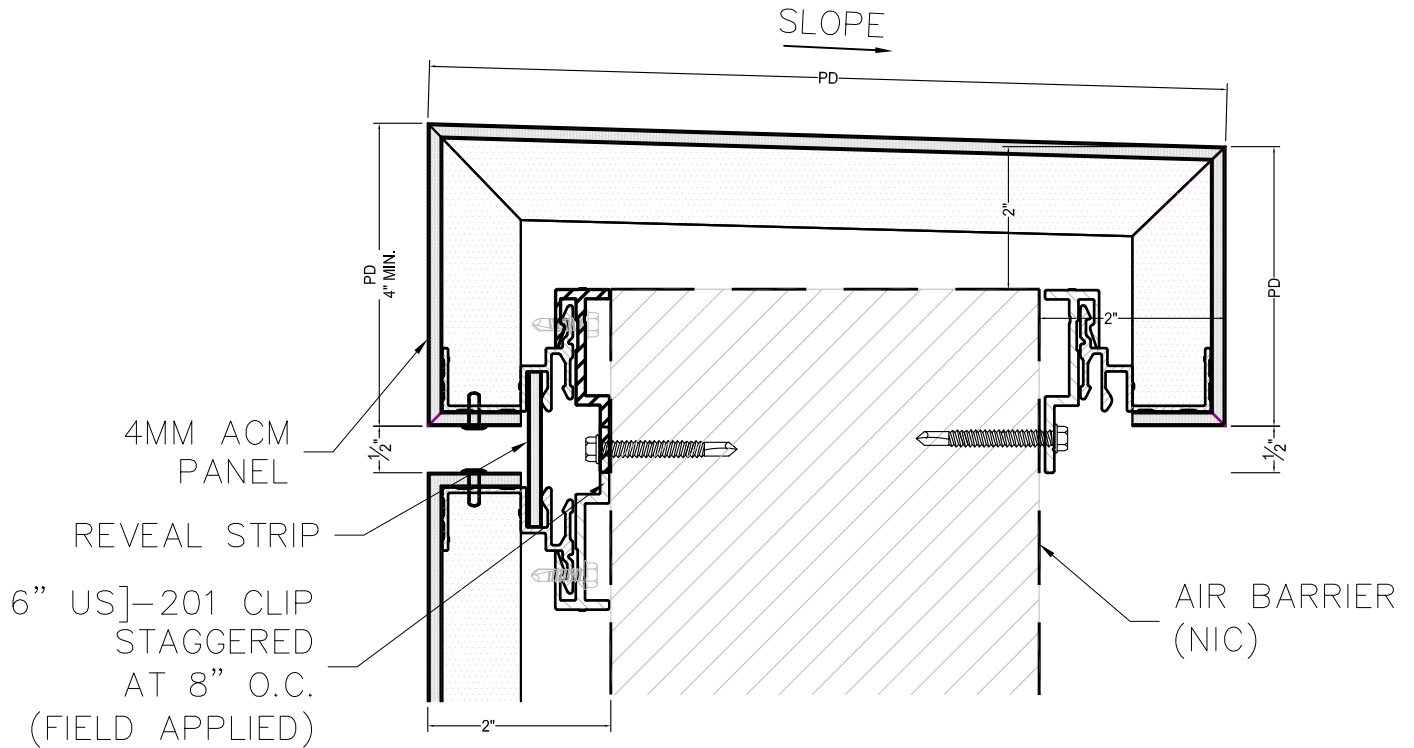
ENDWALL DETAIL



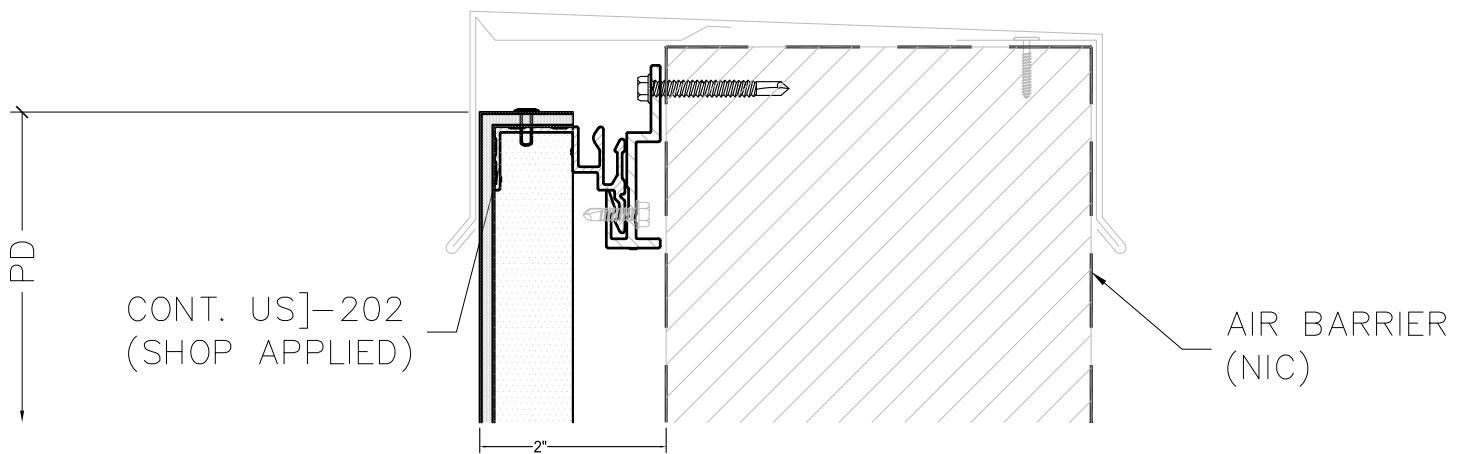
www.usfacades.com

US-AD200 DRY JOINT SYSTEM

Disclaimer Note: U.S. FACADES, INC. DOES NOT MAKE ANY WARRANTIES, EXPRESS OR IMPLIED INCLUDING MERCHANTABILITY AND FITNESS FOR PURPOSE. THIS INFORMATION IS GIVEN TO THE BEST OF OUR KNOWLEDGE BUT WITHOUT ANY OBLIGATION ON OUR PART.



6A ACM PARAPET DETAIL



6B BRAKE METAL PARAPET DETAIL

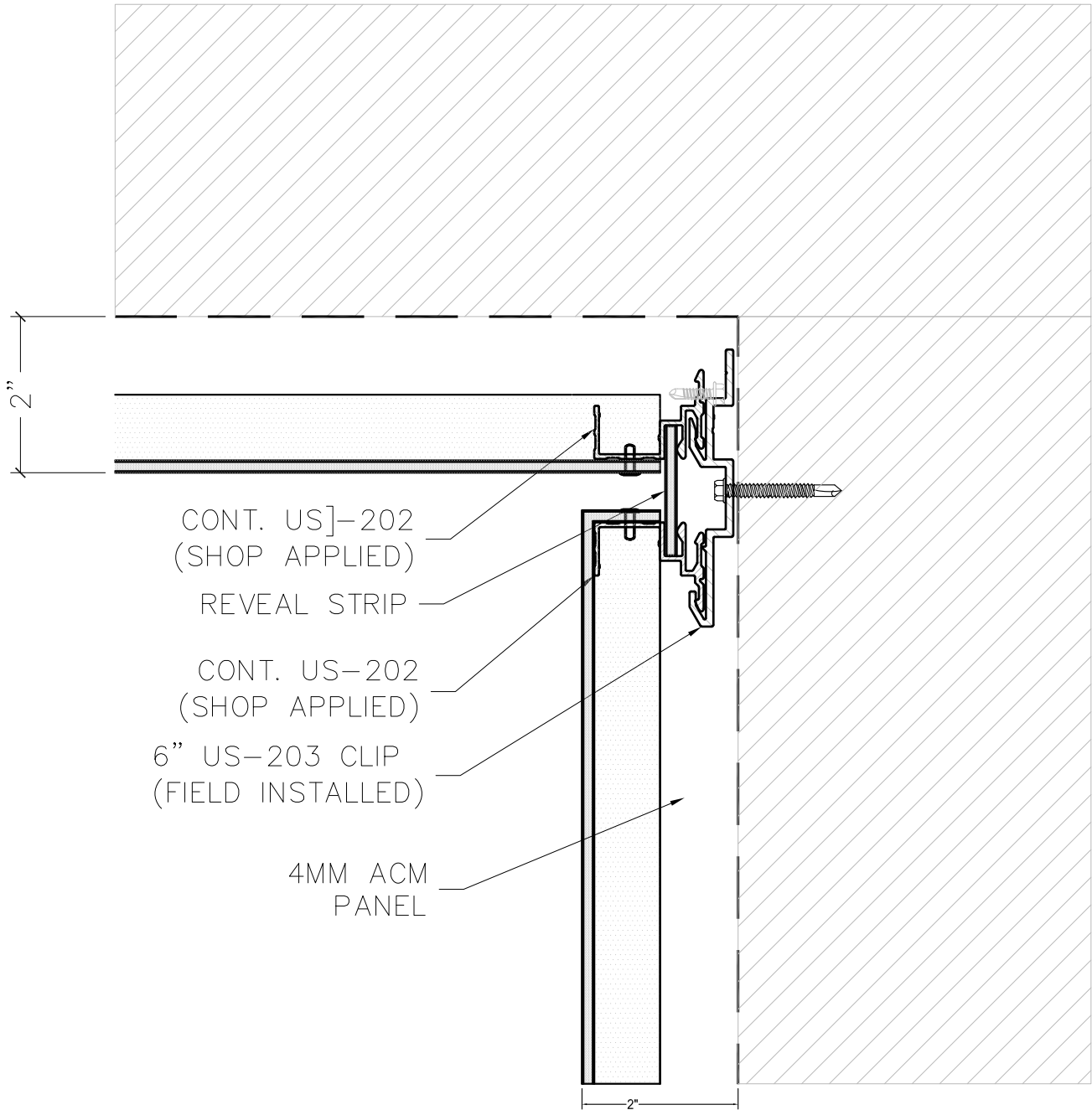
6 PARAPET DETAIL



www.usfacades.com

US-AD200 DRY JOINT SYSTEM

Disclaimer Note: U.S. FACADES, INC. DOES NOT MAKE ANY WARRANTIES, EXPRESS OR IMPLIED INCLUDING MERCHANTABILITY AND FITNESS FOR PURPOSE. THIS INFORMATION IS GIVEN TO THE BEST OF OUR KNOWLEDGE BUT WITHOUT ANY OBLIGATION ON OUR PART.



7

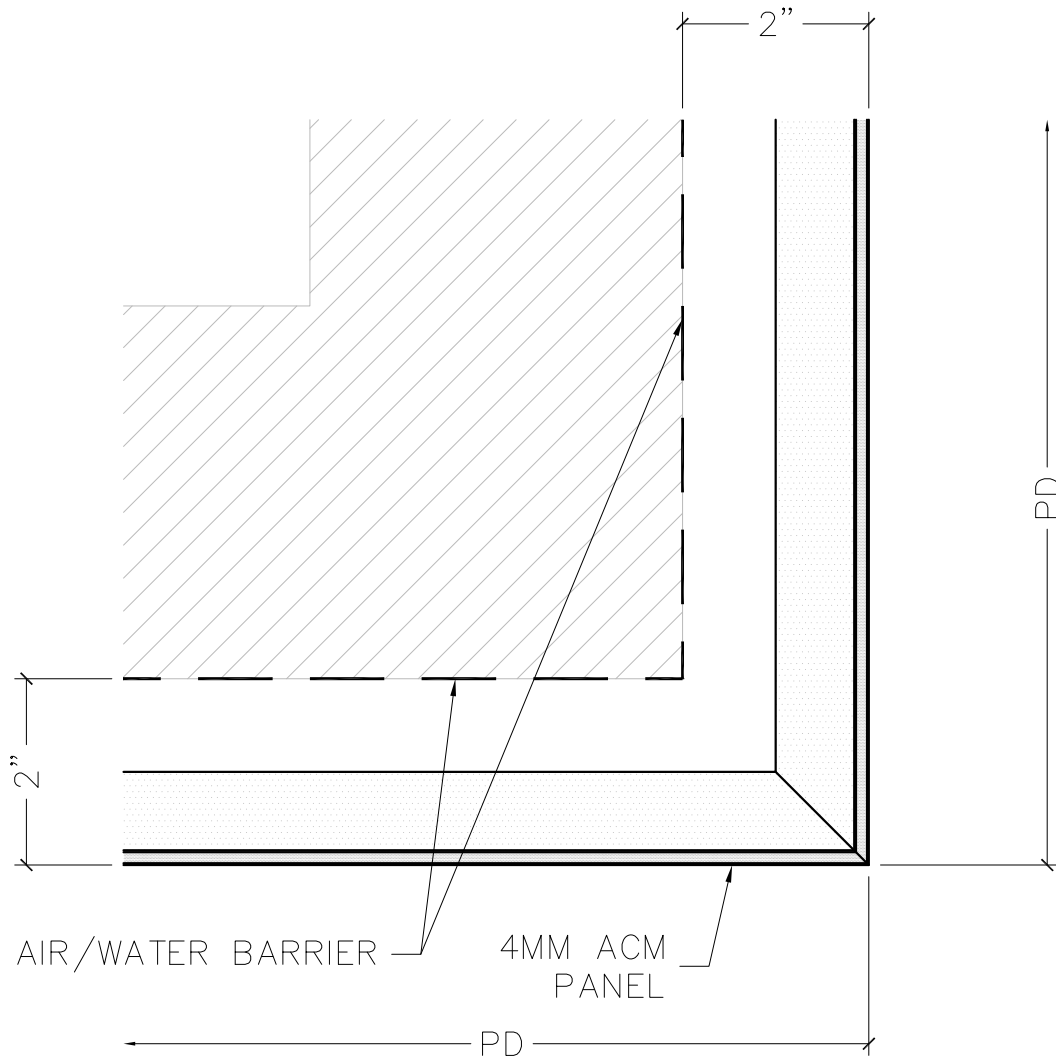
INSIDE CORNER DETAIL



www.usfacades.com

US-AD200 DRY JOINT SYSTEM

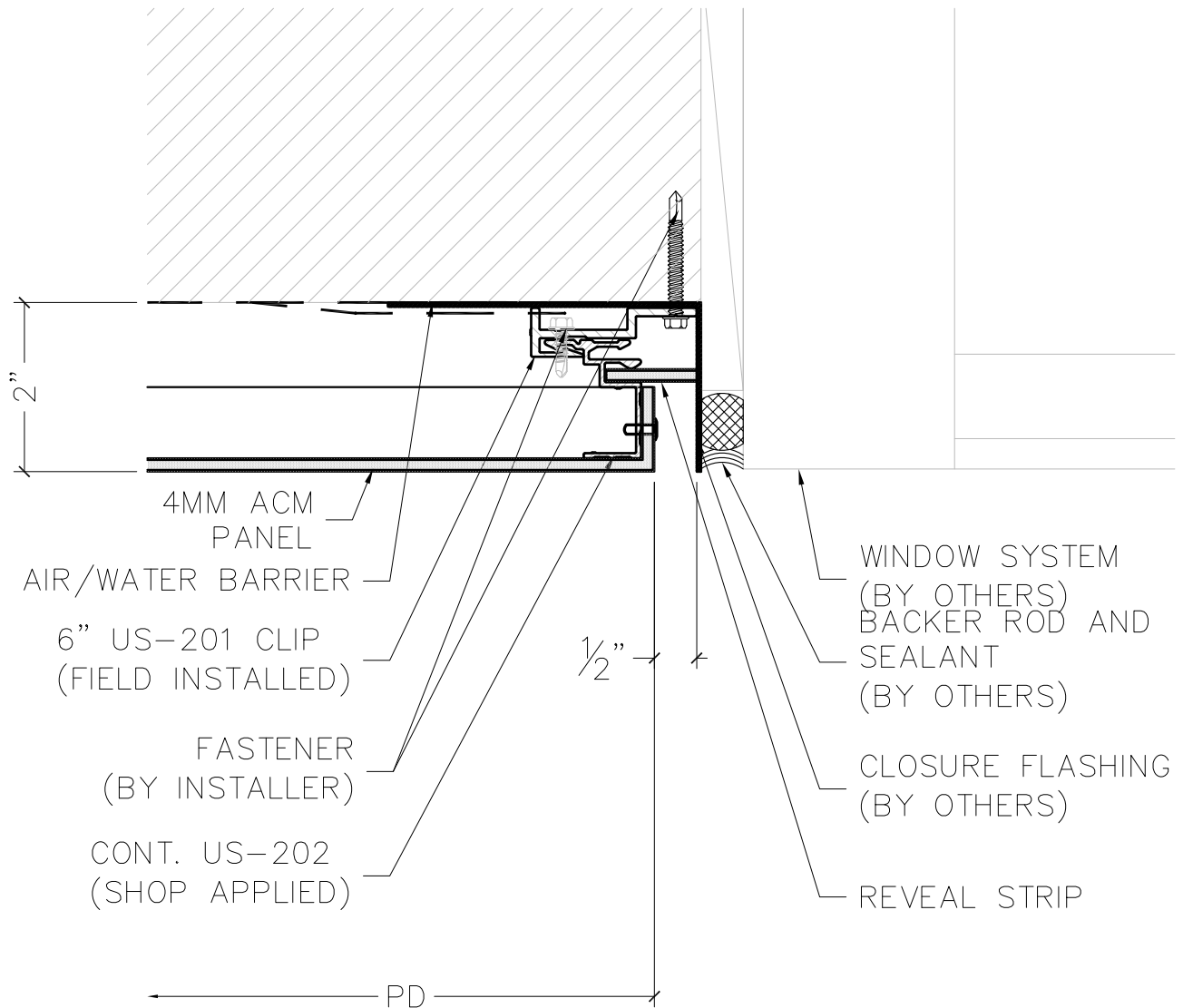
Disclaimer Note: U.S. FACADES, INC. DOES NOT MAKE ANY WARRANTIES, EXPRESS OR IMPLIED INCLUDING MERCHANTABILITY AND FITNESS FOR PURPOSE. THIS INFORMATION IS GIVEN TO THE BEST OF OUR KNOWLEDGE BUT WITHOUT ANY OBLIGATION ON OUR PART.



8 OUTSIDE CORNER DETAIL

US-AD200 DRY JOINT SYSTEM

Disclaimer Note: U.S. FACADES, INC. DOES NOT MAKE ANY WARRANTIES, EXPRESS OR IMPLIED INCLUDING MERCHANTABILITY AND FITNESS FOR PURPOSE. THIS INFORMATION IS GIVEN TO THE BEST OF OUR KNOWLEDGE BUT WITHOUT ANY OBLIGATION ON OUR PART.



9

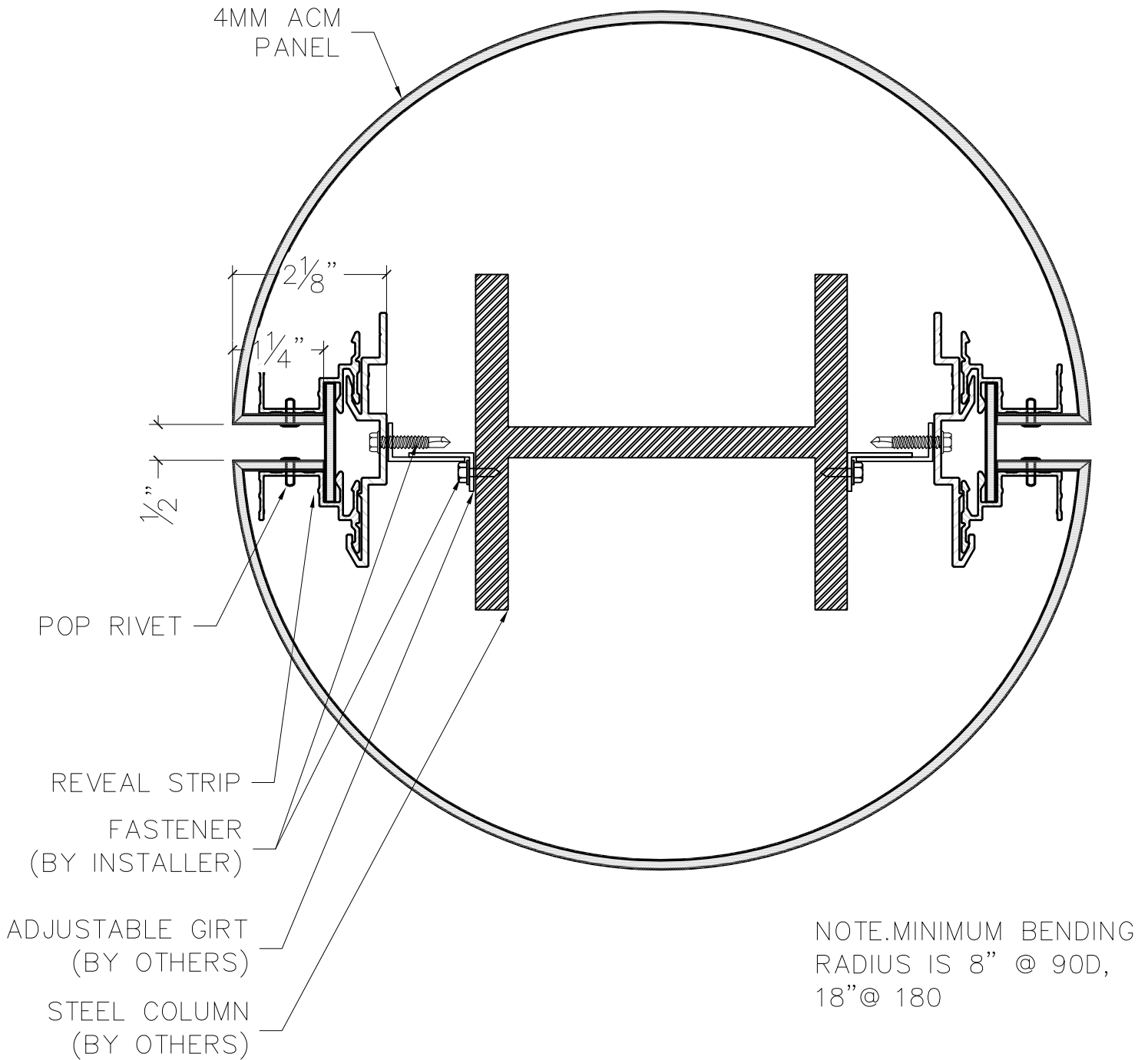
WINDOW DETAIL



www.usfacades.com

US-AD200 DRY JOINT SYSTEM

Disclaimer Note: U.S. FACADES, INC. DOES NOT MAKE ANY WARRANTIES, EXPRESS OR IMPLIED INCLUDING MERCHANTABILITY AND FITNESS FOR PURPOSE. THIS INFORMATION IS GIVEN TO THE BEST OF OUR KNOWLEDGE BUT WITHOUT ANY OBLIGATION ON OUR PART.



10 ROUND COLUMN COVER DETAIL



www.usfacades.com