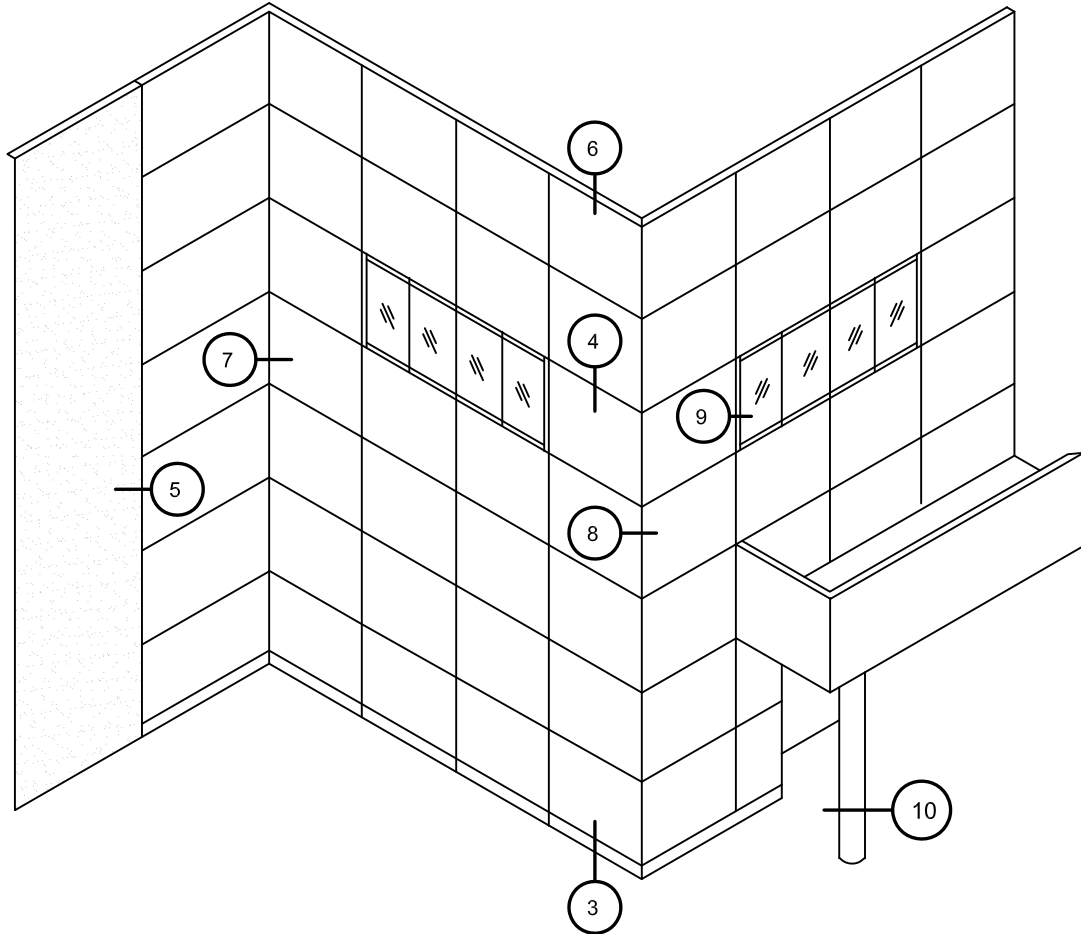


US-AW150 WET SEAL SYSTEM

Disclaimer Note: U.S. FACADES, INC. DOES NOT MAKE ANY WARRANTIES, EXPRESS OR IMPLIED INCLUDING MERCHANTABILITY AND FITNESS FOR PURPOSE. THIS INFORMATION IS GIVEN TO THE BEST OF OUR KNOWLEDGE BUT WITHOUT ANY OBLIGATION ON OUR PART.



GENERAL DETAILS

- 1: SYSTEM ISOMETRIC
- 2: ATTACHMENT EXTRUSIONS

SECTION DETAILS

- 3: BASE / FOUNDATION
- 4: HORIZONTAL / VERTICAL
- 5: DISSIMILAR MATERIAL
- 6: PARAPET
- 7: INSIDE CORNER
- 8: OUTSIDE CORNER
- 9: WINDOW DETAIL
- 10: ROUND COLUMN

1 SYSTEM ISOMETRIC

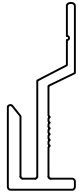


www.usfacades.com

US-AW150 WET SEAL SYSTEM

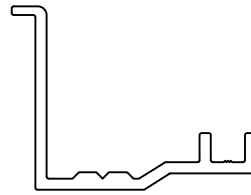
Disclaimer Note: U.S. FACADES, INC. DOES NOT MAKE ANY WARRANTIES, EXPRESS OR IMPLIED INCLUDING MERCHANTABILITY AND FITNESS FOR PURPOSE. THIS INFORMATION IS GIVEN TO THE BEST OF OUR KNOWLEDGE BUT WITHOUT ANY OBLIGATION ON OUR PART.

STARTER



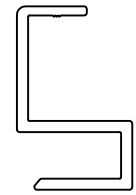
US-151

MALE



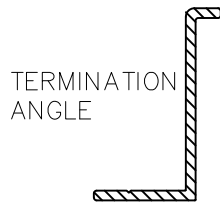
US-152

FEMALE



US-153

TERMINATION ANGLE



US-154

CLIP ANGLE

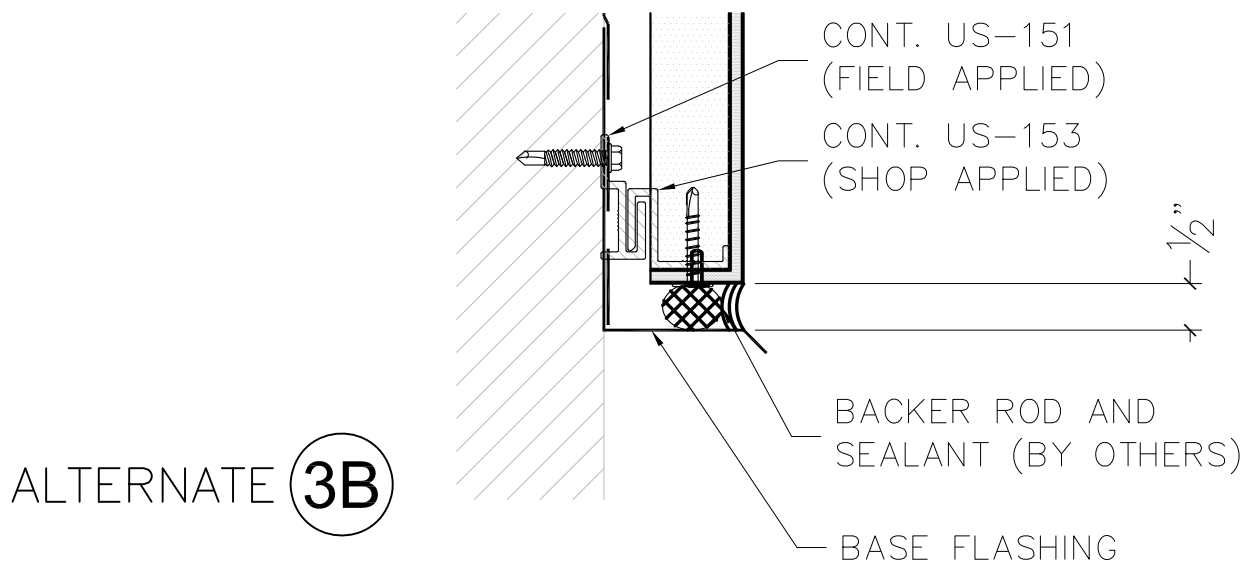
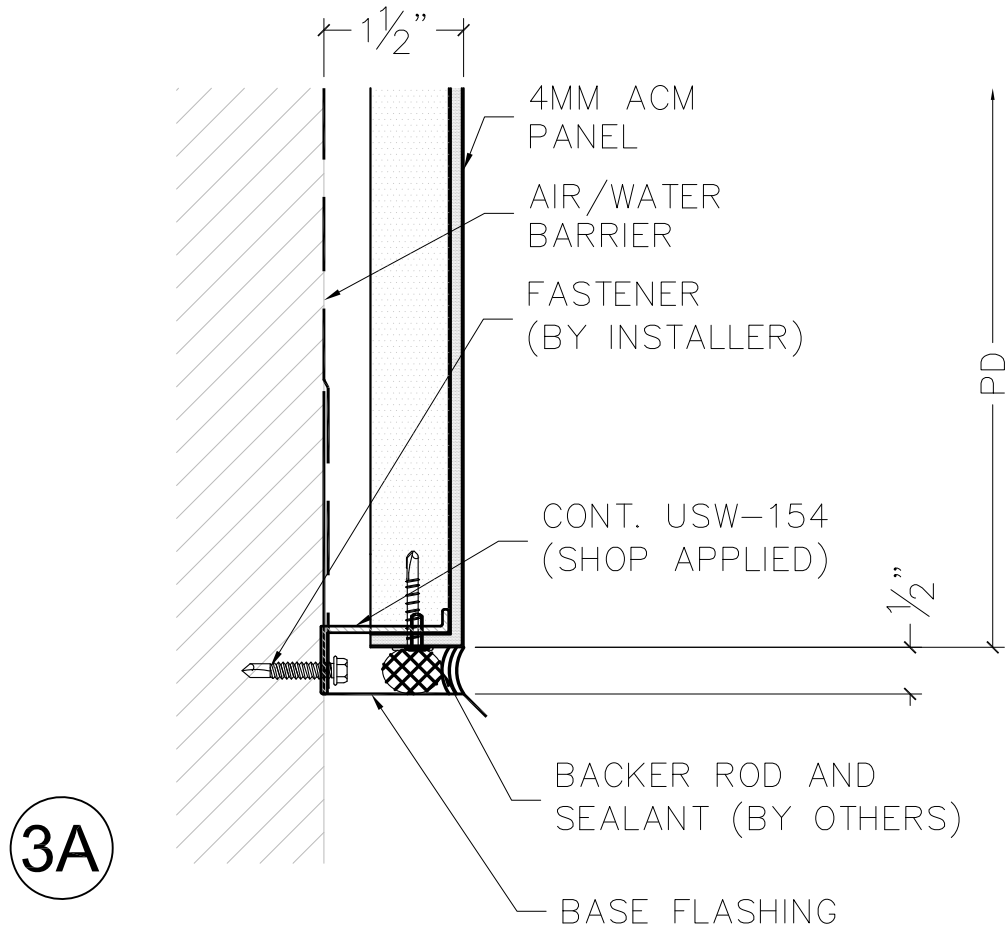


US-155

NOT TO SCALE

US-AW150 WET SEAL SYSTEM

Disclaimer Note: U.S. FACADES, INC. DOES NOT MAKE ANY WARRANTIES, EXPRESS OR IMPLIED INCLUDING MERCHANTABILITY AND FITNESS FOR PURPOSE. THIS INFORMATION IS GIVEN TO THE BEST OF OUR KNOWLEDGE BUT WITHOUT ANY OBLIGATION ON OUR PART.



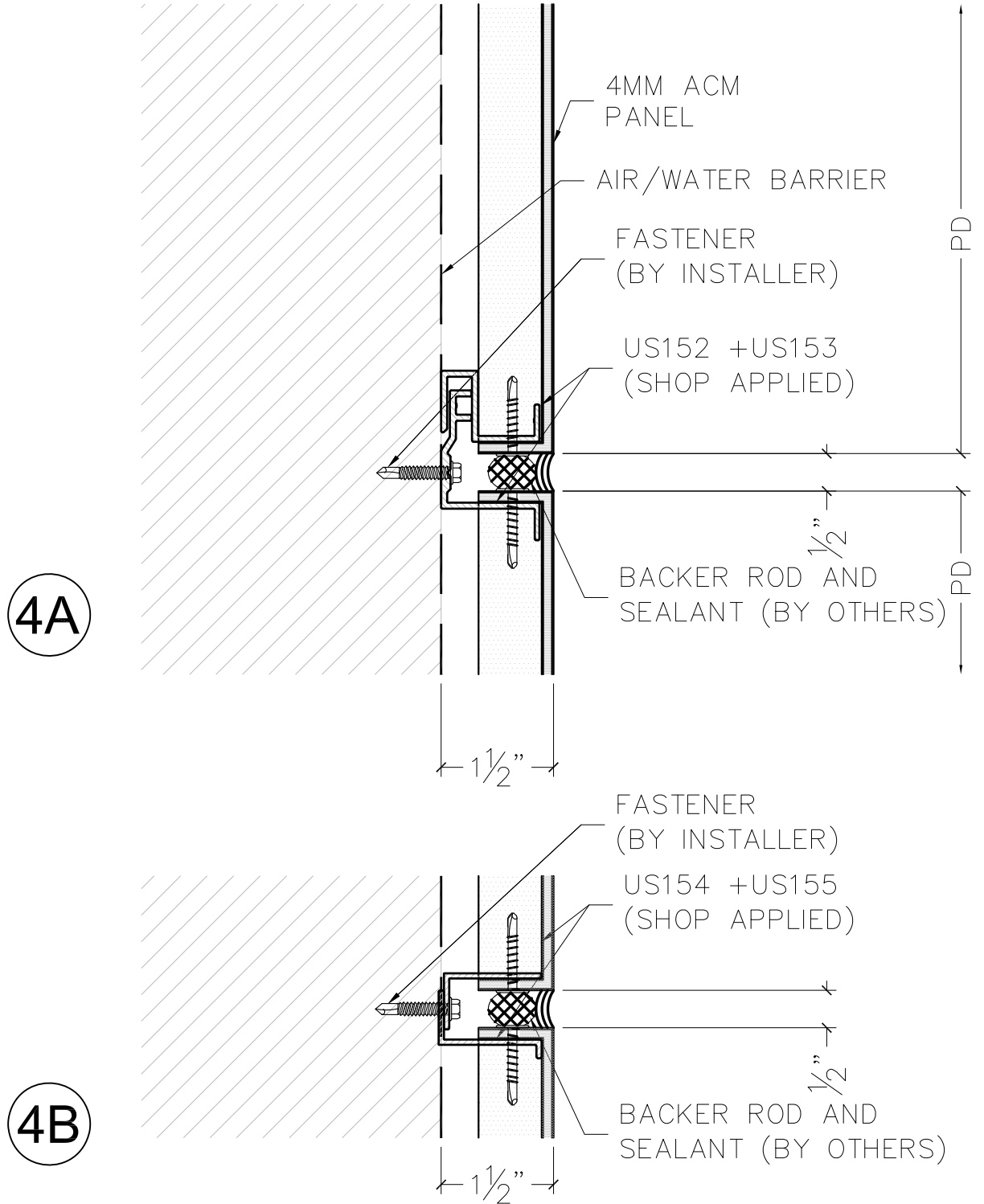
3 BASE DETAIL



www.usfacades.com

US-AW150 WET SEAL SYSTEM

Disclaimer Note: U.S. FACADES, INC. DOES NOT MAKE ANY WARRANTIES, EXPRESS OR IMPLIED INCLUDING MERCHANTABILITY AND FITNESS FOR PURPOSE. THIS INFORMATION IS GIVEN TO THE BEST OF OUR KNOWLEDGE BUT WITHOUT ANY OBLIGATION ON OUR PART.

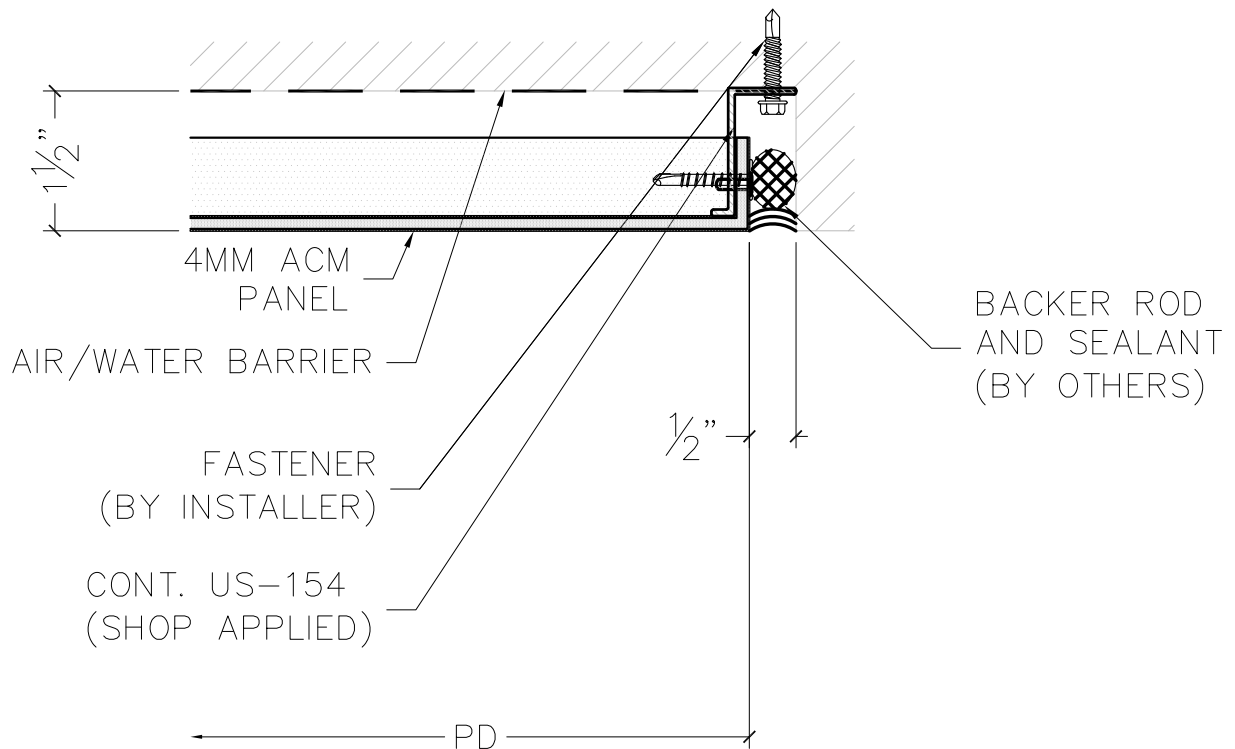


4 TYPICAL PANEL JOINT DETAIL



US-AW150 WET SEAL SYSTEM

Disclaimer Note: U.S. FACADES, INC. DOES NOT MAKE ANY WARRANTIES, EXPRESS OR IMPLIED INCLUDING MERCHANTABILITY AND FITNESS FOR PURPOSE. THIS INFORMATION IS GIVEN TO THE BEST OF OUR KNOWLEDGE BUT WITHOUT ANY OBLIGATION ON OUR PART.



5

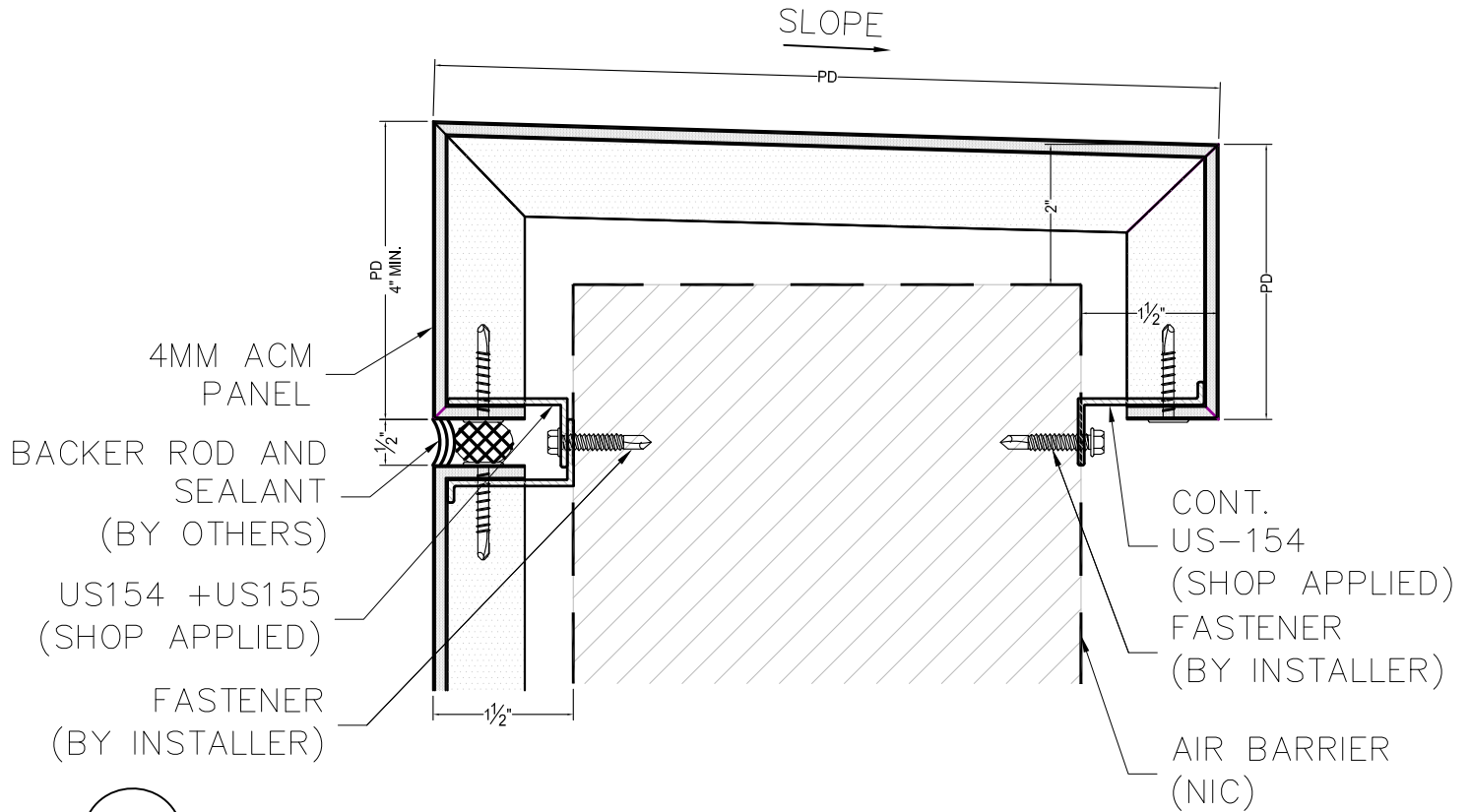
ENDWALL DETAIL



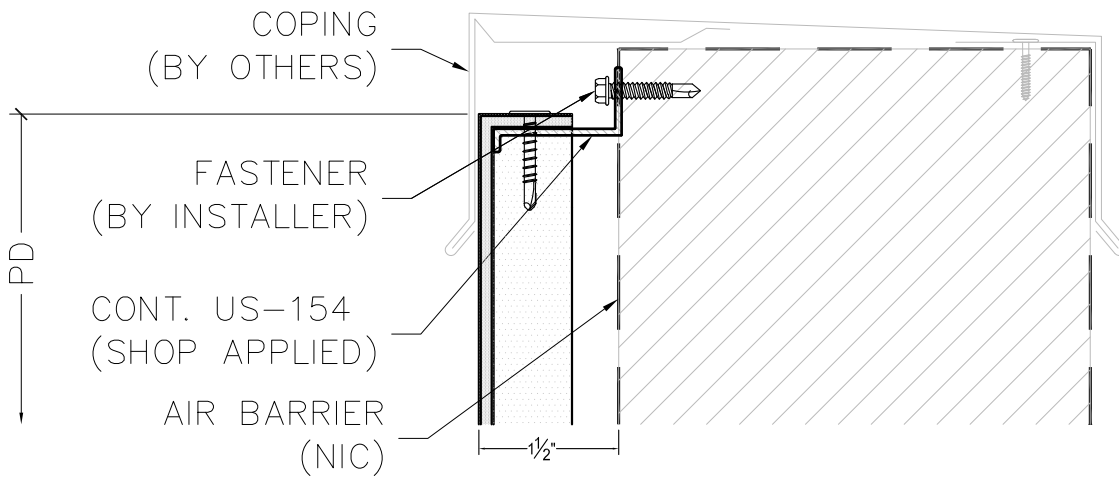
www.usfacades.com

US-AW150 WET SEAL SYSTEM

Disclaimer Note: U.S. FACADES, INC. DOES NOT MAKE ANY WARRANTIES, EXPRESS OR IMPLIED INCLUDING MERCHANTABILITY AND FITNESS FOR PURPOSE. THIS INFORMATION IS GIVEN TO THE BEST OF OUR KNOWLEDGE BUT WITHOUT ANY OBLIGATION ON OUR PART.



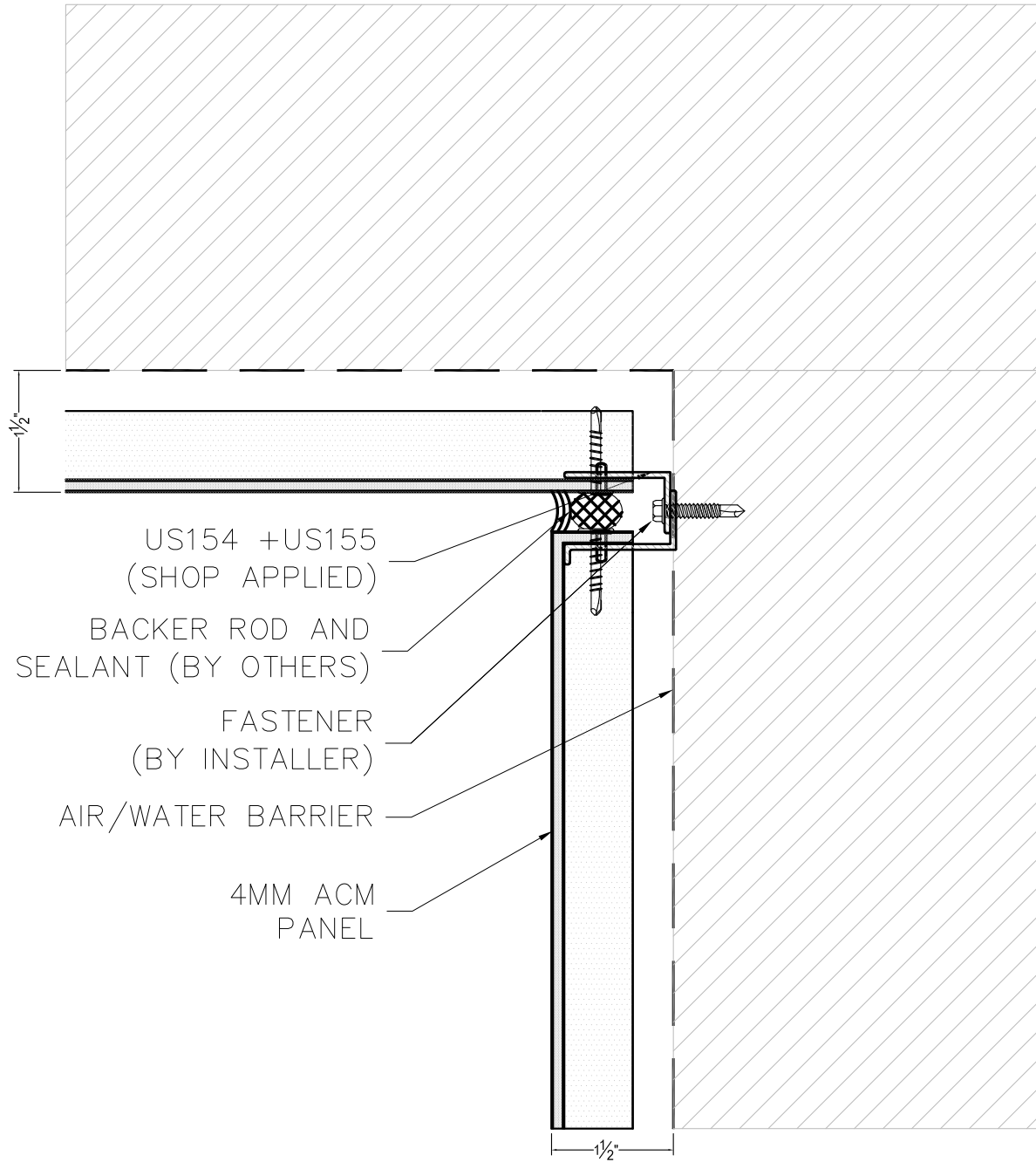
6A ACM PARAPET DETAIL



6B BRAKE METAL PARAPET DETAIL

US-AW150 WET SEAL SYSTEM

Disclaimer Note: U.S. FACADES, INC. DOES NOT MAKE ANY WARRANTIES, EXPRESS OR IMPLIED INCLUDING MERCHANTABILITY AND FITNESS FOR PURPOSE. THIS INFORMATION IS GIVEN TO THE BEST OF OUR KNOWLEDGE BUT WITHOUT ANY OBLIGATION ON OUR PART.



7

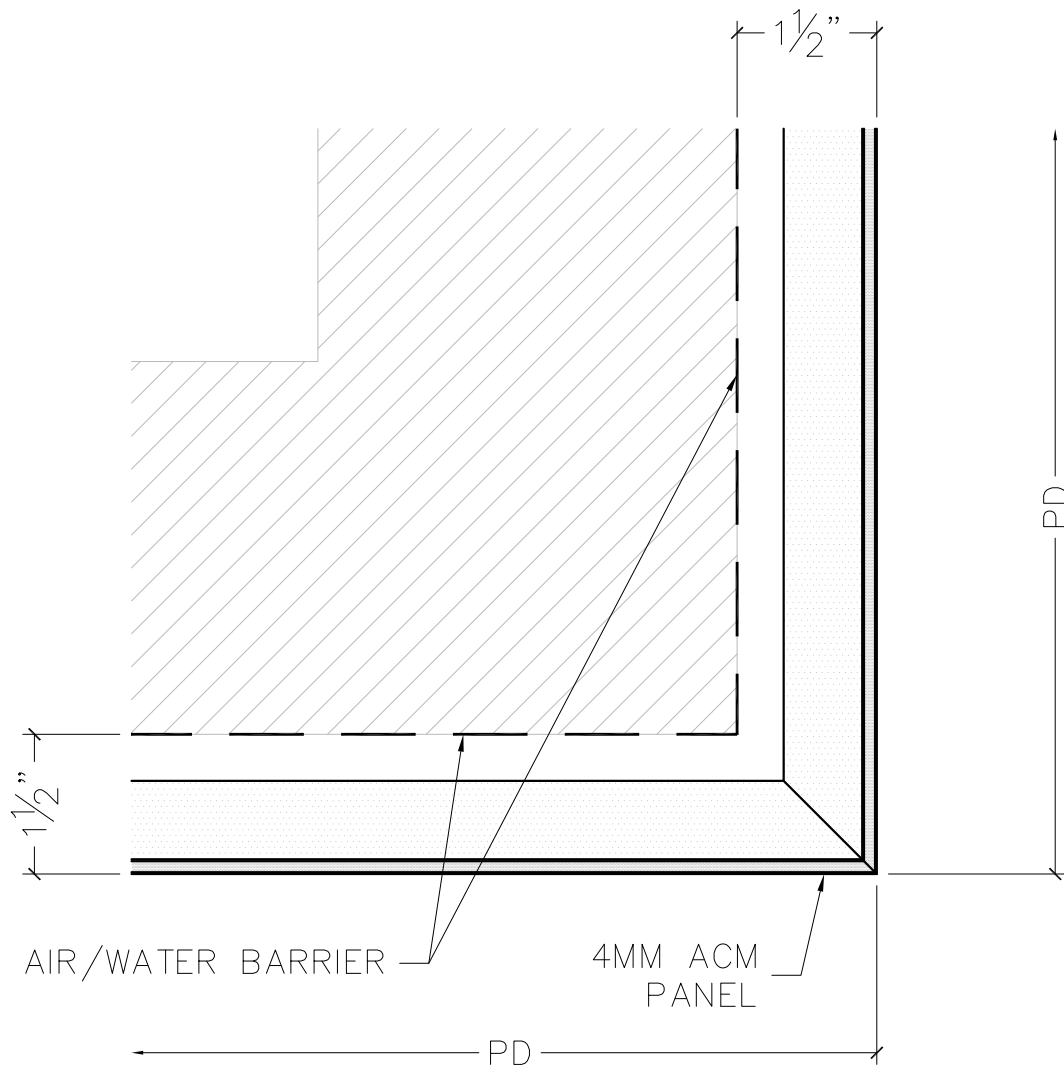
INSIDE CORNER DETAIL



www.usfacades.com

US-AW150 WET SEAL SYSTEM

Disclaimer Note: U.S. FACADES, INC. DOES NOT MAKE ANY WARRANTIES, EXPRESS OR IMPLIED INCLUDING MERCHANTABILITY AND FITNESS FOR PURPOSE. THIS INFORMATION IS GIVEN TO THE BEST OF OUR KNOWLEDGE BUT WITHOUT ANY OBLIGATION ON OUR PART.



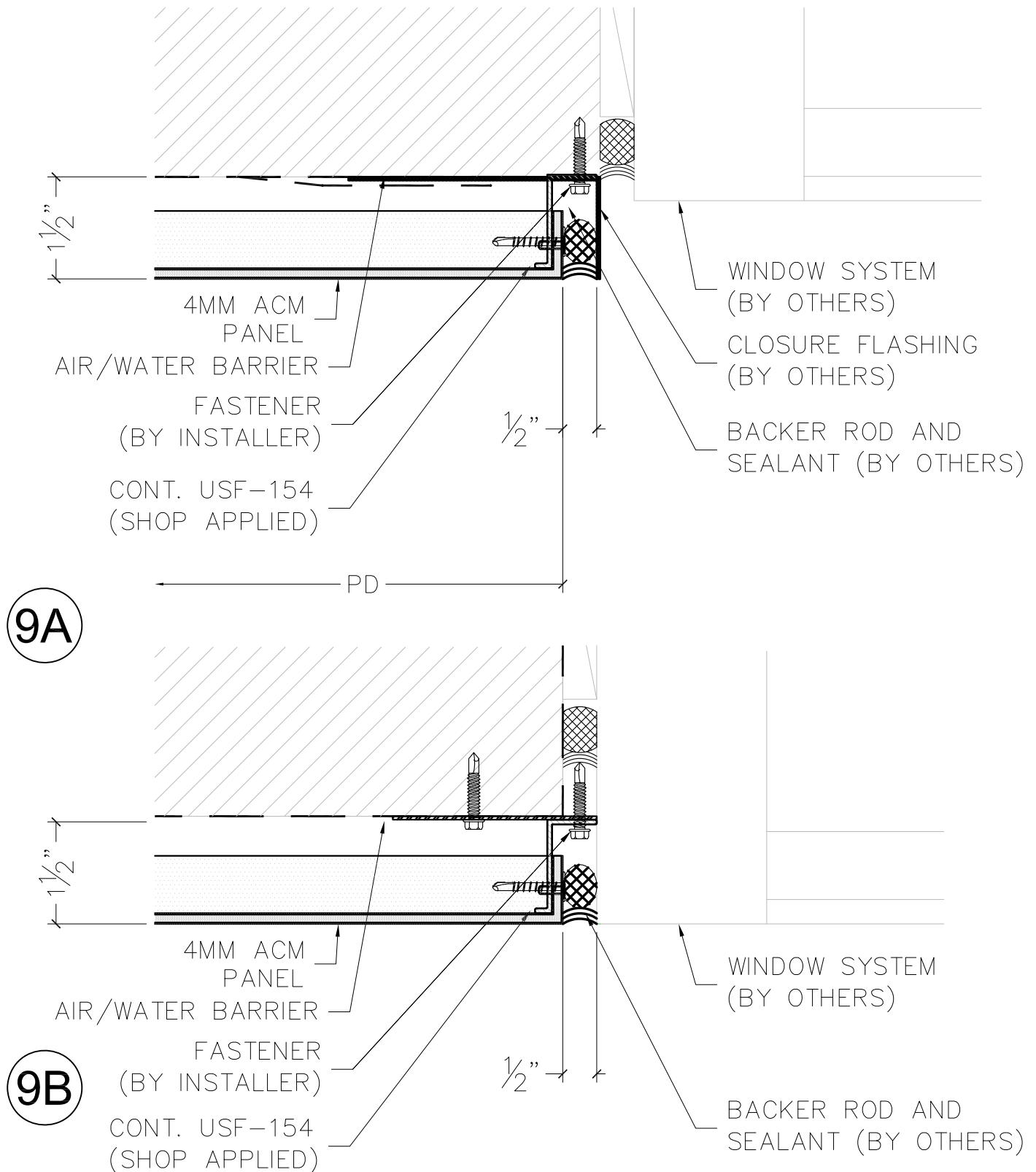
8 OUTSIDE CORNER DETAIL



www.usfacades.com

US-AW150 WET SEAL SYSTEM

Disclaimer Note: U.S. FACADES, INC. DOES NOT MAKE ANY WARRANTIES, EXPRESS OR IMPLIED INCLUDING MERCHANTABILITY AND FITNESS FOR PURPOSE. THIS INFORMATION IS GIVEN TO THE BEST OF OUR KNOWLEDGE BUT WITHOUT ANY OBLIGATION ON OUR PART.



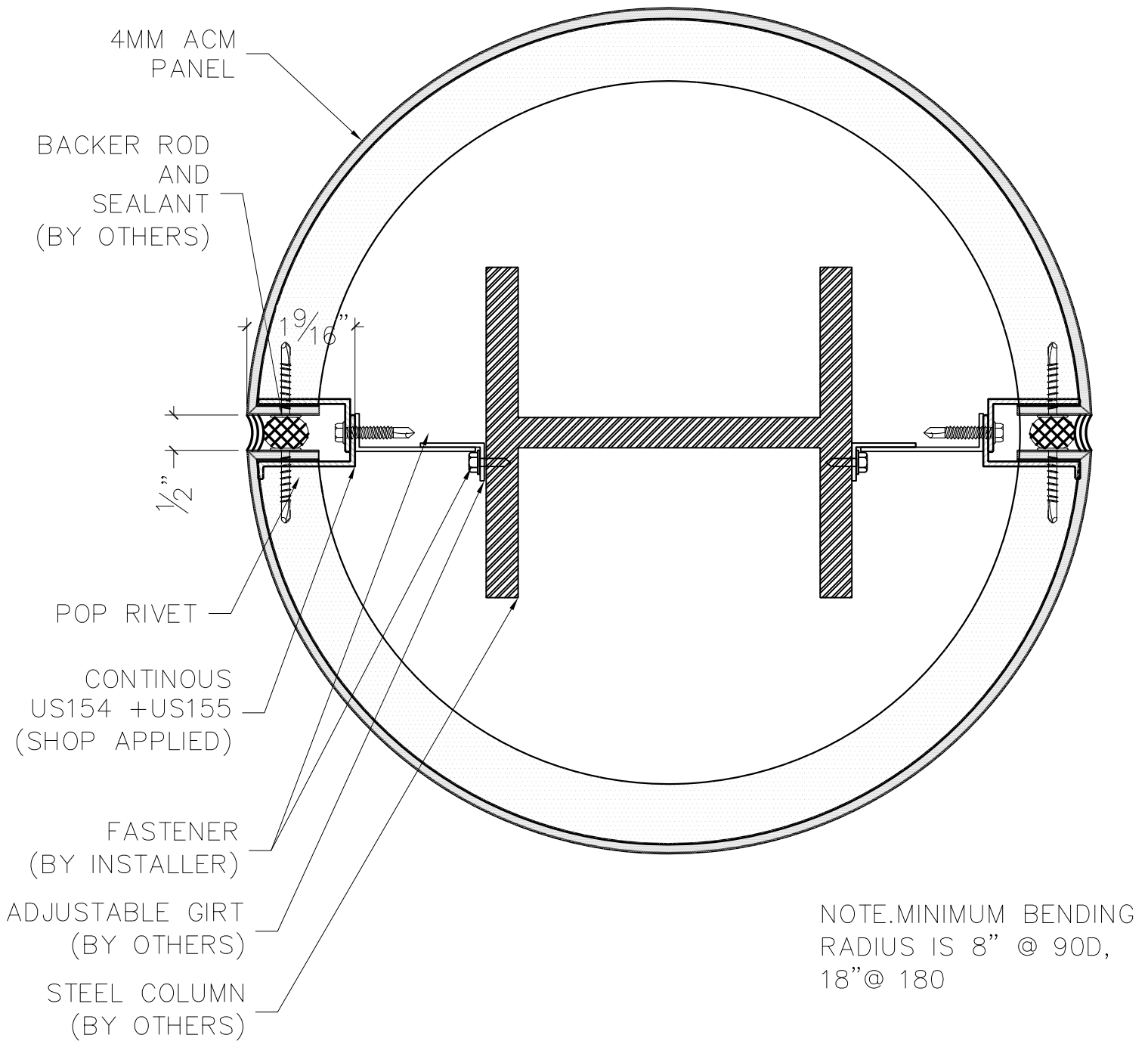
9 WINDOW DETAIL



www.usfacades.com

US-AW150 WET SEAL SYSTEM

Disclaimer Note: U.S. FACADES, INC. DOES NOT MAKE ANY WARRANTIES, EXPRESS OR IMPLIED INCLUDING MERCHANTABILITY AND FITNESS FOR PURPOSE. THIS INFORMATION IS GIVEN TO THE BEST OF OUR KNOWLEDGE BUT WITHOUT ANY OBLIGATION ON OUR PART.



10 ROUND COLUMN COVER DETAIL



www.usfacades.com