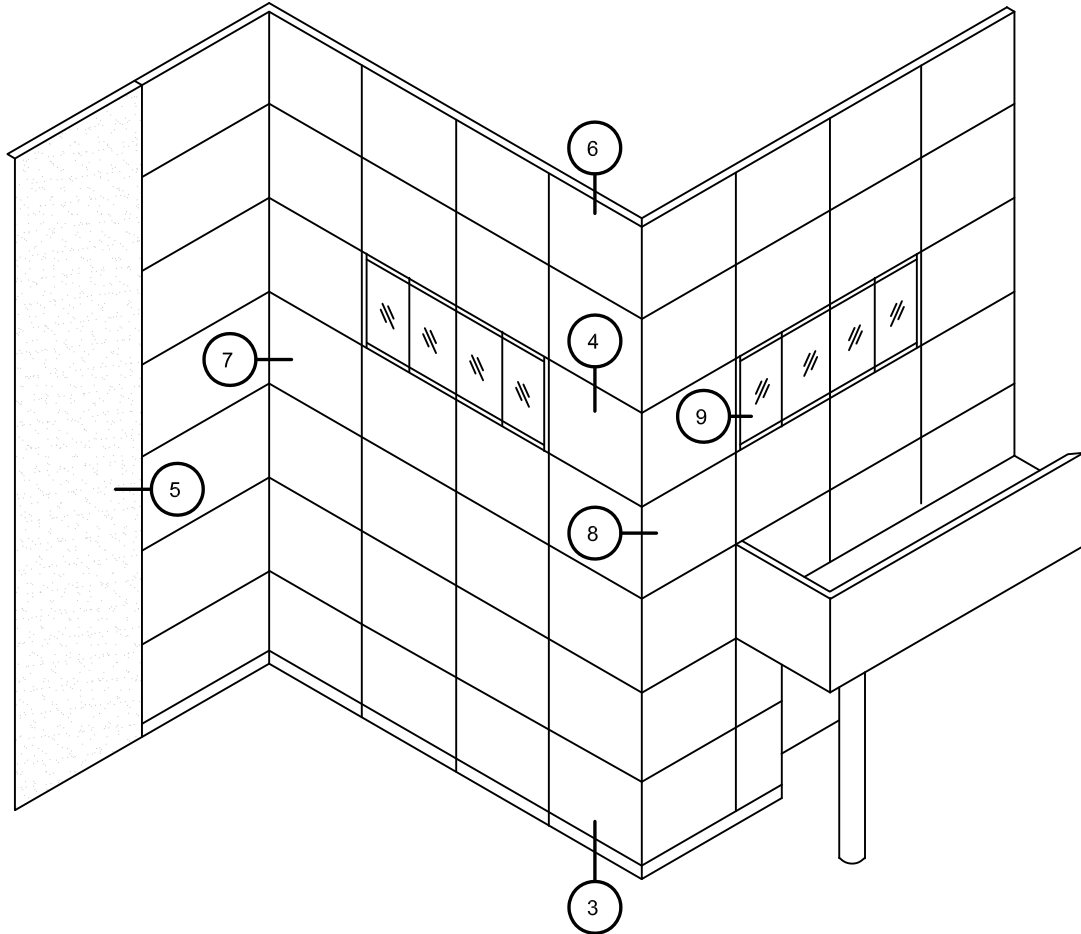


US-HPL110 EXPOSED FASTENER SYSTEM

Disclaimer Note: U.S. FACADES, INC. DOES NOT MAKE ANY WARRANTIES, EXPRESS OR IMPLIED INCLUDING MERCHANTABILITY AND FITNESS FOR PURPOSE. THIS INFORMATION IS GIVEN TO THE BEST OF OUR KNOWLEDGE BUT WITHOUT ANY OBLIGATION ON OUR PART.



GENERAL DETAILS

- 1: SYSTEM ISOMETRIC
- 2: ATTACHMENT EXTRUSIONS

SECTION DETAILS

- 3: BASE / FOUNDATION
- 4: HORIZONTAL / VERTICAL
- 5: DISSIMILAR MATERIAL
- 6: PARAPET
- 7: INSIDE CORNER
- 8: OUTSIDE CORNER
- 9: WINDOW DETAIL

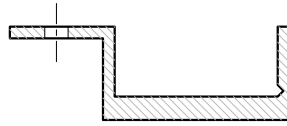
1 SYSTEM ISOMETRIC



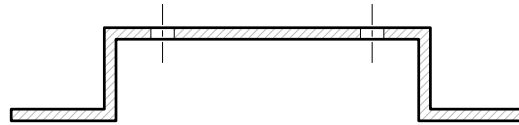
www.usfacades.com

US-HPL110 EXPOSED FASTENER SYSTEM

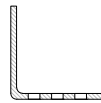
Disclaimer Note: U.S. FACADES, INC. DOES NOT MAKE ANY WARRANTIES, EXPRESS OR IMPLIED INCLUDING MERCHANTABILITY AND FITNESS FOR PURPOSE. THIS INFORMATION IS GIVEN TO THE BEST OF OUR KNOWLEDGE BUT WITHOUT ANY OBLIGATION ON OUR PART.



US-HPL J CHANNEL



US-HPL 110 H CHANNEL

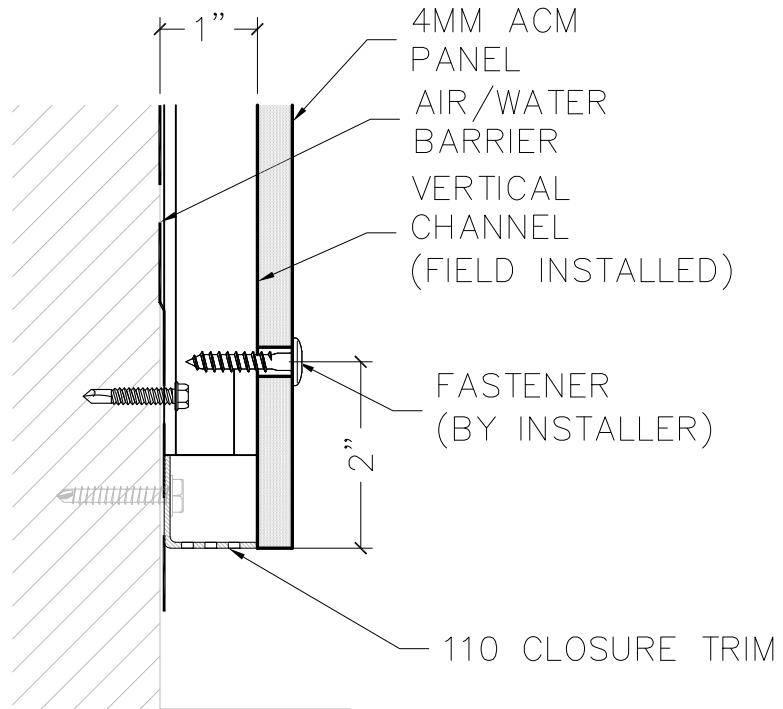


US-HPL 110 TRIM

NOT TO SCALE

US-HPL110 EXPOSED FASTENER SYSTEM

Disclaimer Note: U.S. FACADES, INC. DOES NOT MAKE ANY WARRANTIES, EXPRESS OR IMPLIED INCLUDING MERCHANTABILITY AND FITNESS FOR PURPOSE. THIS INFORMATION IS GIVEN TO THE BEST OF OUR KNOWLEDGE BUT WITHOUT ANY OBLIGATION ON OUR PART.



3

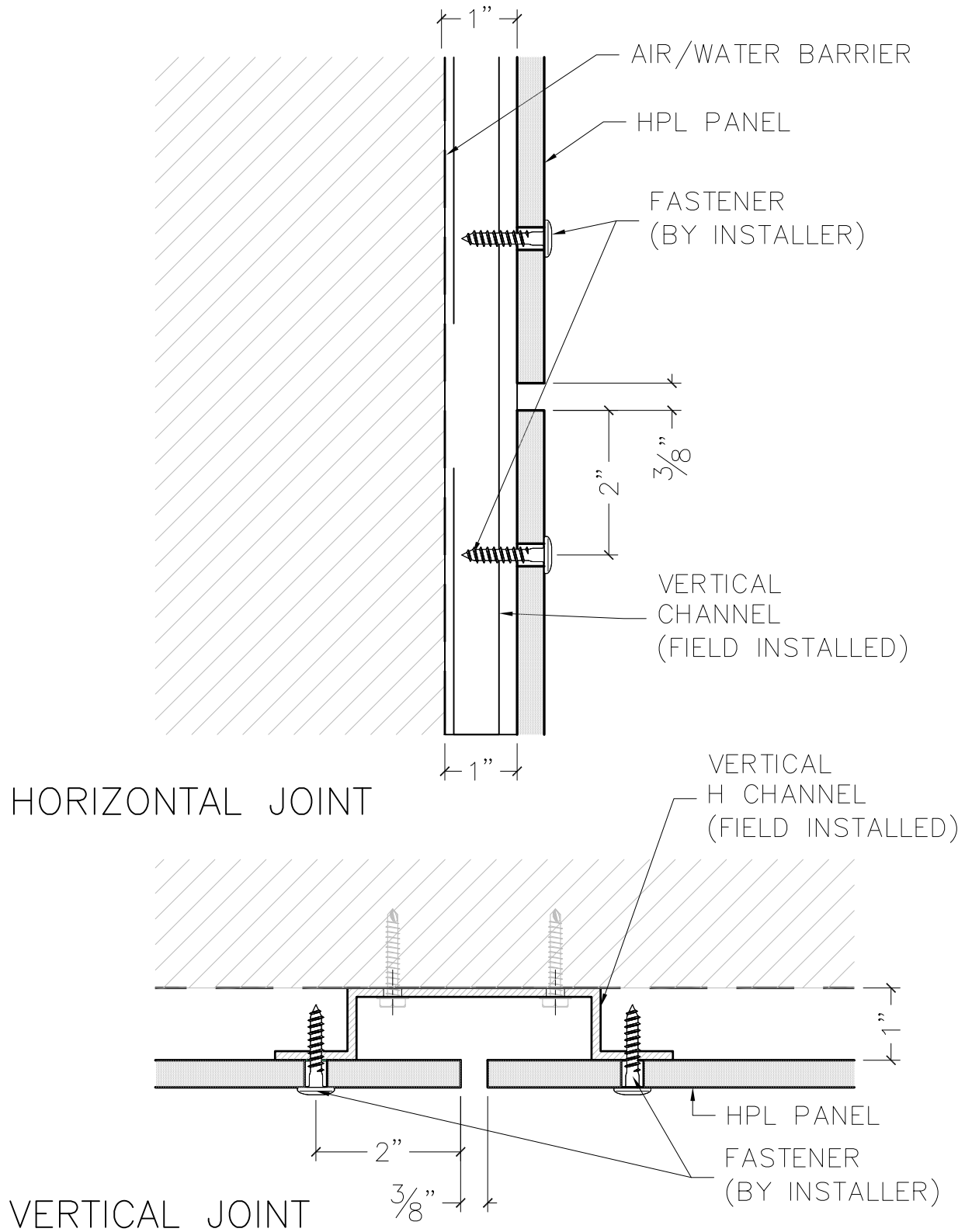
BASE DETAIL



www.usfacades.com

US-HPL110 EXPOSED FASTENER SYSTEM

Disclaimer Note: U.S. FACADES, INC. DOES NOT MAKE ANY WARRANTIES, EXPRESS OR IMPLIED INCLUDING MERCHANTABILITY AND FITNESS FOR PURPOSE. THIS INFORMATION IS GIVEN TO THE BEST OF OUR KNOWLEDGE BUT WITHOUT ANY OBLIGATION ON OUR PART.



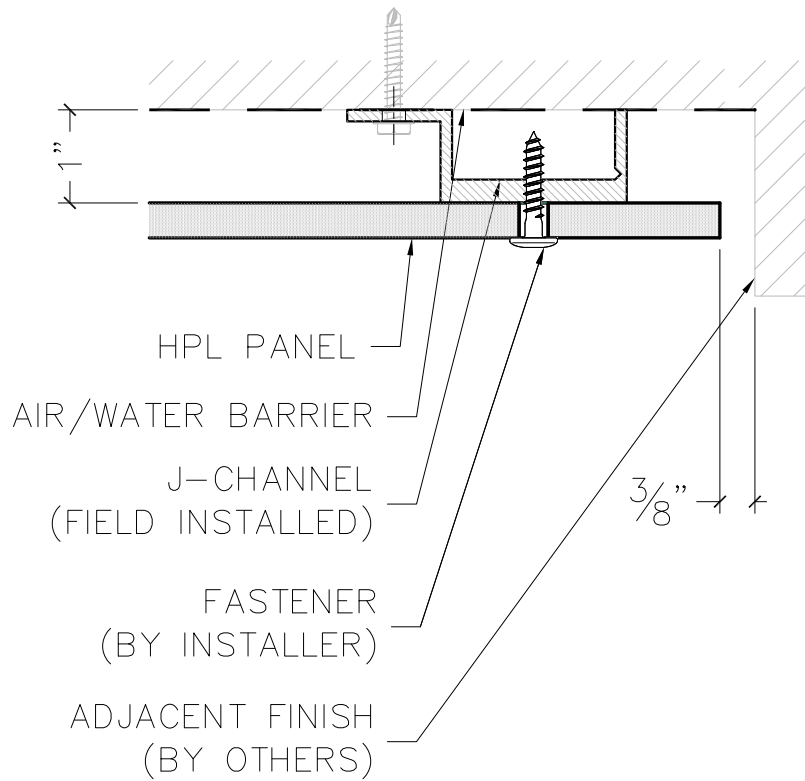
4 TYPICAL PANEL JOINT DETAIL



www.usfacades.com

US-HPL110 EXPOSED FASTENER SYSTEM

Disclaimer Note: U.S. FACADES, INC. DOES NOT MAKE ANY WARRANTIES, EXPRESS OR IMPLIED INCLUDING MERCHANTABILITY AND FITNESS FOR PURPOSE. THIS INFORMATION IS GIVEN TO THE BEST OF OUR KNOWLEDGE BUT WITHOUT ANY OBLIGATION ON OUR PART.



5

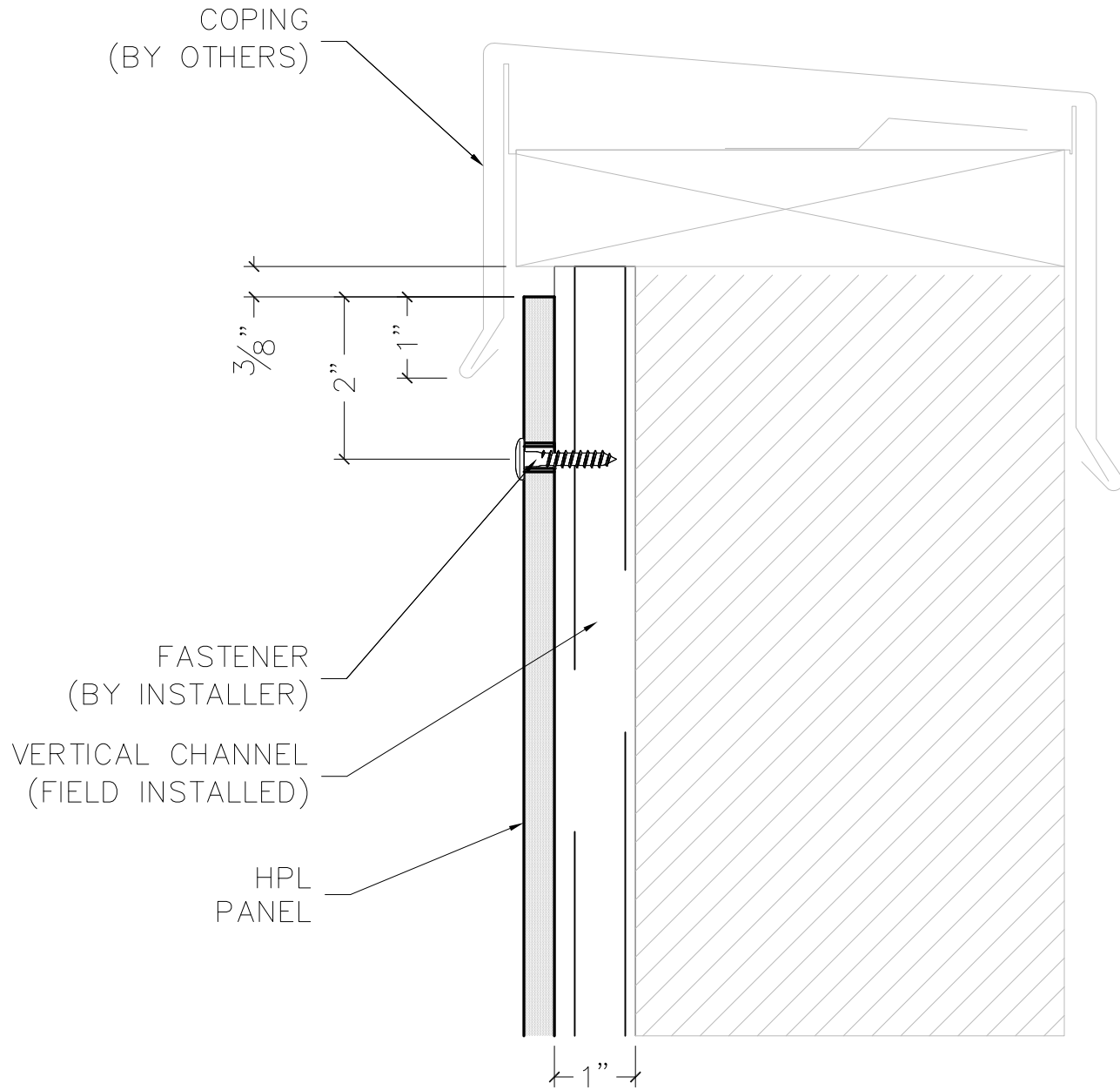
ENDWALL DETAIL



www.usfacades.com

US-HPL110 EXPOSED FASTENER SYSTEM

Disclaimer Note: U.S. FACADES, INC. DOES NOT MAKE ANY WARRANTIES, EXPRESS OR IMPLIED INCLUDING MERCHANTABILITY AND FITNESS FOR PURPOSE. THIS INFORMATION IS GIVEN TO THE BEST OF OUR KNOWLEDGE BUT WITHOUT ANY OBLIGATION ON OUR PART.



6

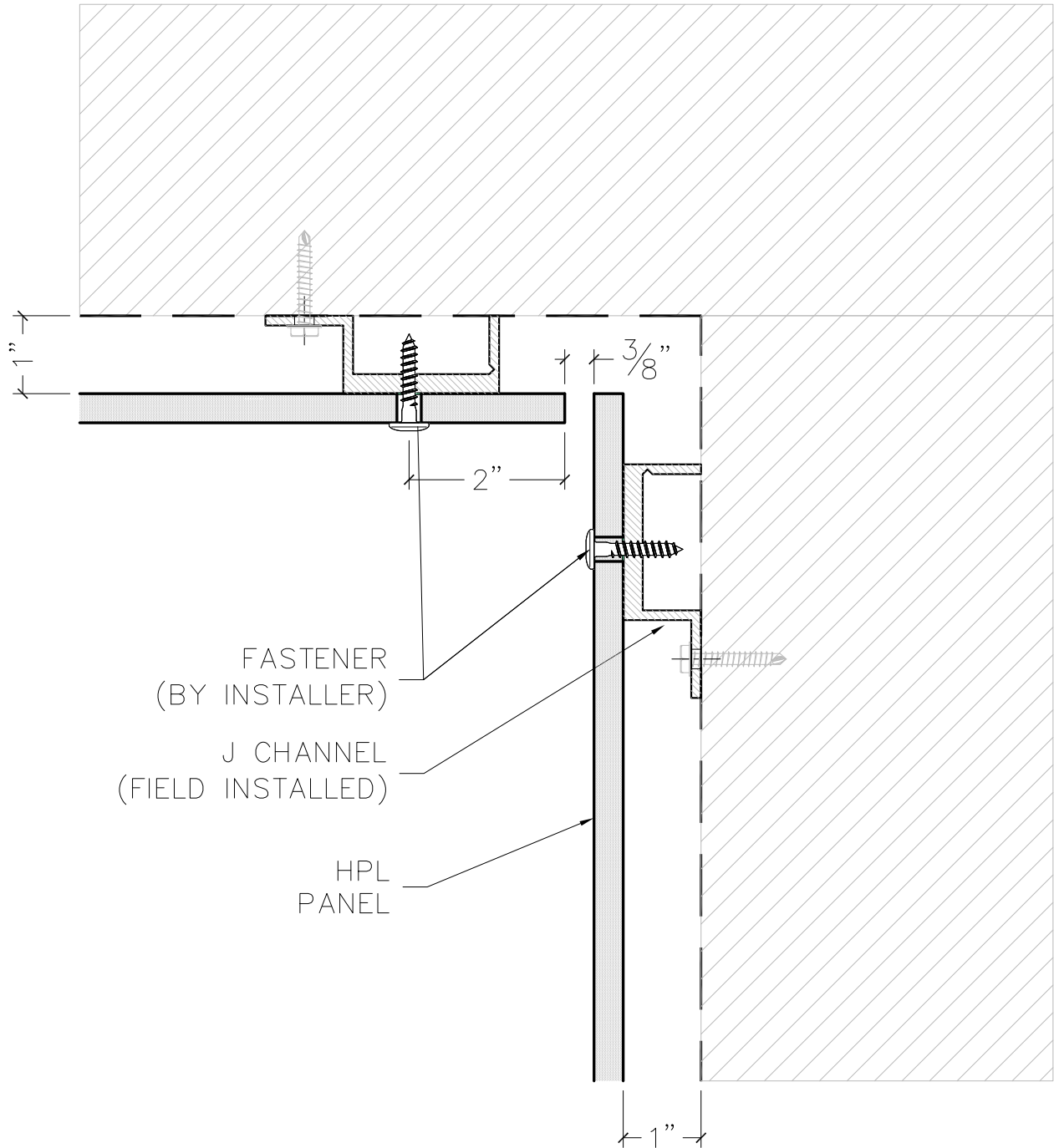
PARAPET DETAIL



www.usfacades.com

US-HPL110 EXPOSED FASTENER SYSTEM

Disclaimer Note: U.S. FACADES, INC. DOES NOT MAKE ANY WARRANTIES, EXPRESS OR IMPLIED INCLUDING MERCHANTABILITY AND FITNESS FOR PURPOSE. THIS INFORMATION IS GIVEN TO THE BEST OF OUR KNOWLEDGE BUT WITHOUT ANY OBLIGATION ON OUR PART.



7

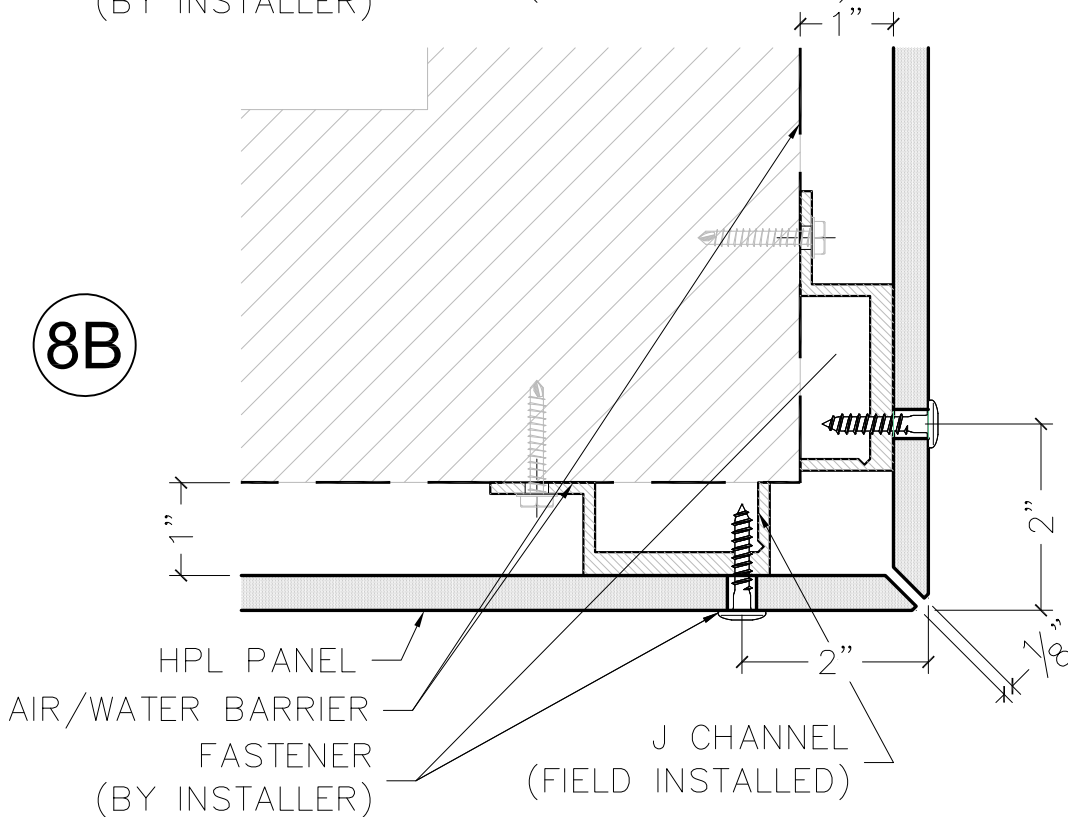
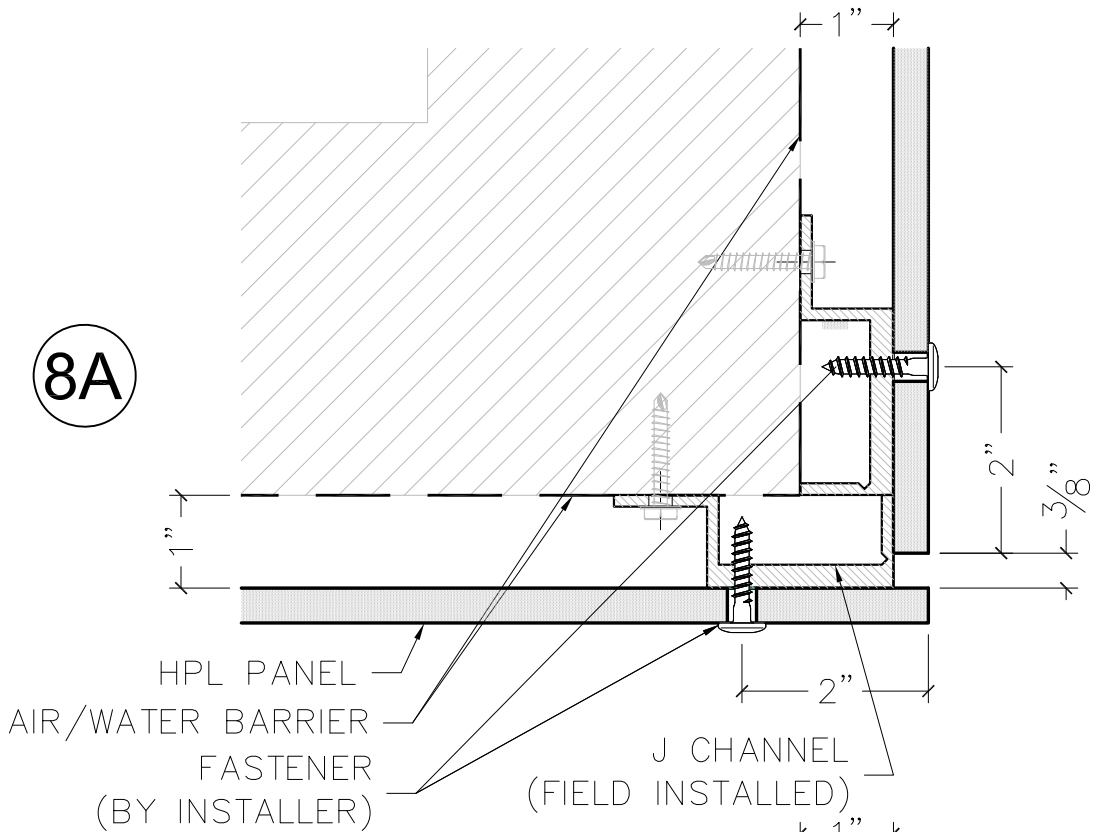
INSIDE CORNER DETAIL



www.usfacades.com

US-HPL110 EXPOSED FASTENER SYSTEM

Disclaimer Note: U.S. FACADES, INC. DOES NOT MAKE ANY WARRANTIES, EXPRESS OR IMPLIED INCLUDING MERCHANTABILITY AND FITNESS FOR PURPOSE. THIS INFORMATION IS GIVEN TO THE BEST OF OUR KNOWLEDGE BUT WITHOUT ANY OBLIGATION ON OUR PART.



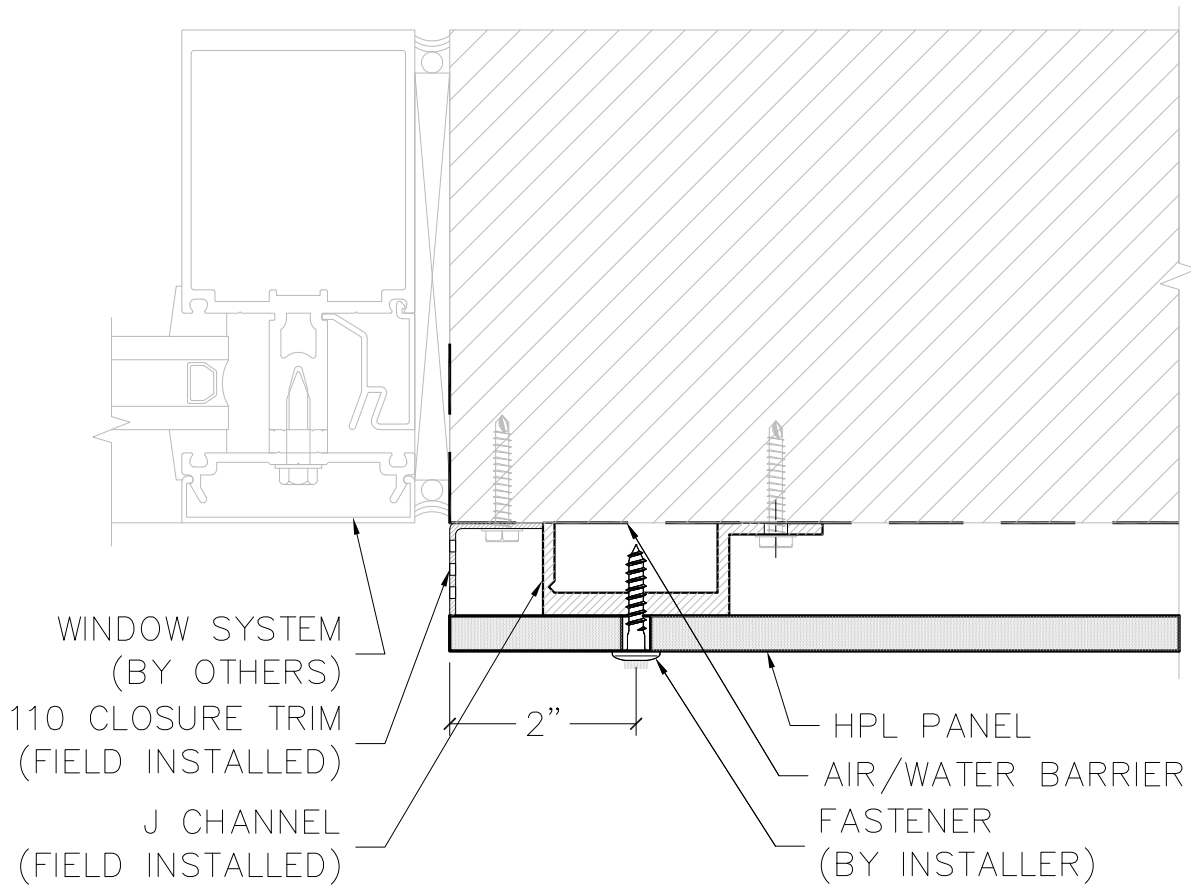
8 OUTSIDE CORNER DETAIL



www.usfacades.com

US-HPL110 EXPOSED FASTENER SYSTEM

Disclaimer Note: U.S. FACADES, INC. DOES NOT MAKE ANY WARRANTIES, EXPRESS OR IMPLIED INCLUDING MERCHANTABILITY AND FITNESS FOR PURPOSE. THIS INFORMATION IS GIVEN TO THE BEST OF OUR KNOWLEDGE BUT WITHOUT ANY OBLIGATION ON OUR PART.



9

WINDOW DETAIL



www.usfacades.com